

OPERATING MANUAL

Duct joint

FD16, FD12, FD10, FD8

Introduction

■ Before use

Only qualified personnel should work with the product. The product described in this manual has been designed and manufactured for use in general industrial machinery, and must not be used for any other purpose. Oriental Motor Co., Ltd. is not responsible for any damage caused through failure to observe this warning.

■ Hazardous substances

RoHS (Directive 2002/95/EC 27Jan.2003) compliant

Safety precautions

The precautions described below are intended to prevent danger or injury to the user and other personnel through safe, correct use of the product. Please read and understand these precautions thoroughly before using the product.

	Handling the product without observing the instructions that accompany a "Warning" symbol may result in serious injury or death.
	Handling the product without observing the instructions that accompany a "Caution" symbol may result in injury or property damage.

Warning

- Do not insert your fingers and any part of your body inside the duct joint while the power is turned on.
- Before installing or inspecting the duct, be sure to turn off the power of the blower.

Caution

- Do not lift the product only by the duct joint while the blower and the duct joint are being connected.
- Do not apply any load exceeding the following values to the duct joint.
FD16, FD12: 100 N, **FD10:** 50 N, **FD8:** 35 N
- Do not install the duct joint in a location subject to large vibration.

Checking the model and applicable product

This OPERATING MANUAL is applicable to the following products.

Model	Applicable product
FD16	MB1665 type
FD12	MB1255 type, MBD12 type
FD10	MB1040 type, MB10V-B , MBD10 type
FD8	MB840 type, MBD8 type

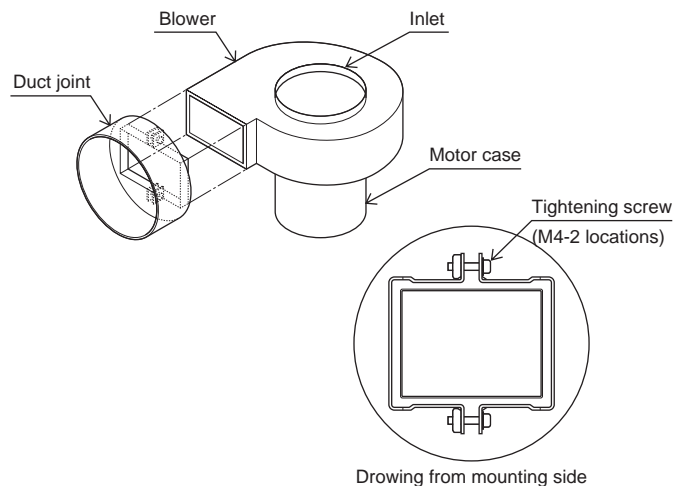
Installation method

1. Be sure to check that the power of the blower is turned off before installing the duct joint.
2. Insert the duct joint straight into the blower's exhaust until it makes contact.
3. Using the tightening screws (M4-2 locations) set on the duct joint's main body, gradually tighten both the inlet side and the motor case side alternately twice. Be sure to securely tighten them.

Thank you for purchasing an Oriental Motor product. This Operating Manual describes product handling procedures and safety precautions.

- Please read it thoroughly to ensure safe operation.
- Always keep the manual where it is readily available.

Model	Tightening torque	Applicable duct size (internal diameter)
FD16	0.8 N·m (114 oz-in)	Ø150 mm (Ø5.91 in.)
FD12		Ø125 mm (Ø4.92 in.)
FD10		Ø100 mm (Ø3.94 in.)
FD8		Ø75 mm (Ø2.95 in.)



- Unauthorized reproduction or copying of all or part of this manual is prohibited.
- Oriental Motor shall not be liable whatsoever for any problems relating to industrial property rights arising from use of any information, circuit, equipment or device provided or referenced in this manual.
- Characteristics, specifications and dimensions are subject to change without notice.
- While we make every effort to offer accurate information in the manual, we welcome your input. Should you find unclear descriptions, errors or omissions, please contact the nearest office.
- **Orientalmotor** and **ORIX** are registered trademarks or trademarks of Oriental Motor Co., Ltd., in Japan and other countries.

© Copyright ORIENTAL MOTOR CO., LTD. 2011

- Please contact your nearest Oriental Motor office for further information.

ORIENTAL MOTOR U.S.A. CORP.

Technical Support Tel:(800)468-3982
8:30 A.M. to 5:00 P.M., P.S.T. (M-F)
7:30 A.M. to 5:00 P.M., C.S.T. (M-F)
E-mail: techsupport@orientalmotor.com
www.orientalmotor.com

ORIENTAL MOTOR (EUROPA) GmbH

Headquarters and Düsseldorf Office Tel:0211-52067-00 Fax:0211-52067-099
Munich Office Tel:089-3181225-00 Fax:089-3181225-25
Hamburg Office Tel:040-76910443 Fax:040-76910445

ORIENTAL MOTOR (UK) LTD.

Tel:01256-347090 Fax:01256-347099

ORIENTAL MOTOR ITALIA s.r.l.

Tel:02-93906346 Fax:02-93906348

SINGAPORE ORIENTAL MOTOR PTE LTD

Tel:+65-6745-7344 Fax:+65-6745-9405

ORIENTAL MOTOR (MALAYSIA) SDN. BHD.

Tel:(03)22875778 Fax:(03)22875528

ORIENTAL MOTOR (THAILAND) CO.,LTD.

Tel:+66-2-251-1871 Fax:+66-2-251-1872

INA ORIENTAL MOTOR CO.,LTD.

KOREA
Tel:080-777-2042 Fax:02-2026-5495

ORIENTAL MOTOR (FRANCE) SARL

Tel:01 47 86 97 50 Fax:01 47 82 45 16

SHANGHAI ORIENTAL MOTOR CO.,LTD.

Tel:400-820-6516 Fax:021-6278-0269

TAIWAN ORIENTAL MOTOR CO.,LTD.

Tel:(02)8228-0707 Fax:(02)8228-0708

ORIENTAL MOTOR CO.,LTD.

Headquarters Tokyo, Japan
Tel:03-6744-0361 Fax:03-5826-2576