

Drivers for 2-Phase, 5-Phase Stepping Motors

CVD Series

Pulse input type

OPERATING MANUAL

Table of contents

1	Introduction	2	8	Connection	16
2	Safety precautions	3	9	Setting	28
3	Precautions for use.....	5	10	Inspection	31
4	General specifications	6	11	Alarms.....	32
5	Regulations and standards.....	7	12	Cables	33
6	Preparation	8	13	Accessories.....	34
7	Installation.....	12			

Thank you for purchasing an Oriental Motor product.

This Manual describes product handling procedures and safety precautions.

- Please read it thoroughly to ensure safe operation.
- Always keep the manual where it is readily available.

1 Introduction

1-1 Before use

Only qualified personnel of electrical and mechanical engineering should work with the product. Use the product correctly after thoroughly reading the "2 Safety precautions" on p.3. In addition, be sure to observe the contents described in warning, caution, and note in this manual. The product described in this manual is designed and manufactured to be incorporated in general industrial equipment. Do not use for any other purpose. Oriental Motor Co., Ltd. is not responsible for any compensation for damage caused through failure to observe this warning.





1-2 Overview of the product

This product is a board type microstep driver equipped with the smooth drive function.



2 Safety precautions




The precautions described below are intended to ensure the safe and correct use of the product, and to prevent the customer and others from exposure to the risk of injury. Use the product only after carefully reading and fully understanding these instructions.




Description of signs

 WARNING	Handling the product without observing the instructions that accompany a "WARNING" symbol may result in serious injury or death.
 CAUTION	Handling the product without observing the instructions that accompany a "CAUTION" symbol may result in injury or property damage.
 Note	The items under this heading contain important handling instructions that the user should observe to ensure the safe use of the product.
 memo	The items under this heading contain related information and contents to gain a further understanding of the text in this manual.

Description of graphic symbols

	Indicates "prohibited" actions that must not be performed.
	Indicates "compulsory" actions that must be performed.

 WARNING	
	<ul style="list-style-type: none"> • Do not use the product in explosive or corrosive environments, in the presence of flammable gases, in places subjected to splashing water, or near combustibles. Doing so may result in fire or injury. • Do not forcibly bend, pull or pinch the cable. Doing so may result in fire. • Do not remove the motor excitation during operation. Doing so may cause the motor to stop and lose the holding force, resulting in injury or damage to equipment. • Do not disassemble or modify the driver. Doing so may result in injury or damage to equipment.
	<ul style="list-style-type: none"> • Assign qualified personnel to the task of installing, wiring, operating/controlling, inspecting, and troubleshooting the product. Handling by unqualified personnel may result in fire, injury, or damage to equipment. • When an alarm is generated in the driver (any of the driver protective functions is triggered), remove the cause before clearing the alarm (protective function). Continuing the operation without removing the cause of the problem may cause malfunction of the motor and the driver, leading to injury or damage to equipment. • Install the driver inside an enclosure. Failure to do so may result in injury. • Always keep the power supply voltage of the driver within the specified range. Failure to do so may result in fire. • For the driver power supply use a DC power supply with reinforced insulation on its primary and secondary sides. Failure to do so may result in electric shock. • Connect the cables securely according to the wiring diagram. Failure to do so may result in fire. • Turn off the driver power supply in the event of a power failure. Failure to do so may result in injury or damage to equipment.

 CAUTION	
	<ul style="list-style-type: none"> • Do not use the driver beyond its specifications. Doing so may result in injury or damage to equipment. • Do not insert a finger or an object between the board and the heat sink. Doing so may result in fire or injury. • Do not touch the driver during operation or immediately after stopping. Doing so may result in a skin burn(s). • Do not forcibly bend or pull the cable that was connected to the driver. Doing so may result in damage to the product. • Keep the area around the driver free of combustible materials. Failure to do so may result in fire or a skin burn(s). • Leave nothing around the driver that would obstruct ventilation. Failure to do so may result in damage to equipment.
	<ul style="list-style-type: none"> • Use a motor and driver only in the specified combination. Failure to do so may result in fire. • Provide an emergency stop device or emergency stop circuit external to the equipment so that the entire equipment will operate safely in the event of a system failure or malfunction. Failure to do so may result in injury. • Before supplying power to the driver, turn all input signals to the driver to OFF. Failure to do so may result in injury or damage to equipment. • When moving the moving part manually, put the motor into a non-excitation state. Continuing the work while the motor is in an excitation state may result in injury. • When an abnormal condition has occurred, immediately stop operation to turn off the power supply of the driver. Failure to do so may result in fire or injury. • Dispose the product correctly in accordance with laws and regulations, or instructions of local governments.

3 Precautions for use

- **When conducting the insulation resistance measurement or the dielectric strength test, be sure to separate the connection between the motor and the driver.**

Conducting the insulation resistance measurement or dielectric strength test with the motor and driver connected may result in damage to the product.

- **Regeneration**

When a large load inertia is operated at a high speed, the power supply voltage may increase by the regenerative energy generated, causing an alarm of overvoltage to generate. This may result in damage to the driver, so reconsider the operating condition so as not to generate the regenerative voltage.

4 General specifications

Operation environment	Ambient temperature	0 to +50 °C (+32 to +122 °F) (non-freezing)
	Humidity	85 % or less (non-condensing)
	Altitude	Up to 1,000 m (3,300 ft.) above sea level
	Surrounding atmosphere	No corrosive gas, dust, water or oil
Storage environment, Shipping environment	Ambient temperature	-25 to +70 °C (-13 to +158 °F) (non-freezing)
	Humidity	85 % or less (non-condensing)
	Altitude	Up to 3,000 m (10,000 ft.) above sea level
	Surrounding atmosphere	No corrosive gas, dust, water or oil

5 Regulations and standards

5-1 CE Marking / UKCA Marking

This product is affixed with the marks under the following directive/regulations.

■ EU EMC Directive / UK EMC Regulations

Refer to "8-9 Conformity to the EMC" on p.27 for details about conformity.

5-2 Republic of Korea, Radio Waves Act

This product is affixed with the KC Mark under the Radio Waves Act, the Republic of Korea.

5-3 EU RoHS Directive / UK RoHS Regulations

This product does not contain the substances exceeding the restriction values.

6 Preparation

6-1 Product specifications for possible combinations

Use the drivers in combination with the motors (motorized actuators) shown in the table. Check the motor rated current on the Oriental Motor Website or the motor nameplate.

■ For 2-phase stepping motor

● Type A

Driver model			Driver rated current*1 (A/Phase)	Product possible to combine*2
Driver with mounting plate		Driver without mounting plate		
Right angle				
CVD205BR-K	CVD205B-K	CVD205-K	0.5	PKP213
CVD206BR-K	CVD206B-K	CVD206-K	0.6	PKP214
CVD215BR-K	CVD215B-K	CVD215-K	1.5	PKP22□ PKP23□ PKP24□D*3 PKP24□MD*3 PKP262
CVD223BR-K	CVD223B-K	CVD223-K	2.3	PKP23□ PKP24□D*3 PKP24□MD*3
CVD223FBR-K	CVD223FB-K	CVD223F-K	2.3	PKP24□D*4 PKP24□MD*4 PKP242
CVD223F2BR-K	CVD223F2B-K	–	2.3	PKP244P
CVD228BR-K	CVD228B-K	CVD228-K	2.8	PKP25□ PKP26□

*1 This is the factory setting. If it is different from the motor rated current, match the driver operating current and the motor rated current using the RUN switch of the driver.

*2 Model names in the table describe part of the entire name of models. Drivers can be combined with products that include the model names listed here.

The box (□) in the model name indicates a number representing the motor length.

*3 Motors of Model B. Refer to p.16 for shape of the motor.

*4 Motors of Model A. Refer to p.16 for shape of the motor.

● Type B

Driver model			Driver rated current*1 (A/Phase)	Product possible to combine*2
Driver with mounting plate		Driver without mounting plate		
Right angle				
CVD242BR-K	CVD242B-K	–	4.2	PKP26□
CVD245BR-K	CVD245B-K	–	4.5	PKP29□ PK29□

*1 This is the factory setting. If it is different from the motor rated current, match the driver operating current and the motor rated current using the RUN switch of the driver.

*2 Model names in the table describe part of the entire name of models. Drivers can be combined with products that include the model names listed here.

The box (□) in the model name indicates a number representing the motor length.

■ For 5-phase stepping motor and motorized actuator

● Type A

Driver model			Driver rated current*1 (A/Phase)	Product possible to combine*2
Driver with mounting plate		Driver without mounting plate		
Right angle				
CVD503BR-K	CVD503B-K	CVD503-K	0.35	PKP52□ PK513 PK52□ DRLM20
CVD507BR-K	CVD507B-K	CVD507-K	0.75	PKP52□ PK52□ PK54□ DRLM28 DRLM42 DHM28PAK2 DHM42PAK
CVD512BR-K	CVD512B-K	CVD512-K	1.2	PKP52□
CVD514BR-K	CVD514B-K	CVD514-K	1.4	PK56□ DRLM60
CVD518BR-K	CVD518B-K	CVD518-K	1.8	PKP54□
CVD524BR-K	CVD524B-K	CVD524-K	2.4	PKP56□

*1 This is the factory setting. If it is different from the motor rated current, match the driver operating current and the motor rated current using the RUN switch of the driver.

*2 Model names in the table describe part of the entire name of models. Drivers can be combined with products that include the model names listed here.

The box (□) in the model name indicates a number representing the motor length.

● Type B

Driver model			Driver rated current*1 (A/Phase)	Product possible to combine*2
Driver with mounting plate		Driver without mounting plate		
Right angle				
CVD528BR-K	CVD528B-K	–	2.8	PKP56□ PK56□ PK59□
CVD538BR-K	CVD538B-K	–	3.8	PKP56□

*1 This is the factory setting. If it is different from the motor rated current, match the driver operating current and the motor rated current using the RUN switch of the driver.

*2 Model names in the table describe part of the entire name of models. Drivers can be combined with products that include the model names listed here.

The box (□) in the model name indicates a number representing the motor length.

6-2 Checking the product

Verify that the items listed below are included. Report any missing or damaged items to the Oriental Motor sales office from which you purchased the product.

- Driver 1 unit
- Instructions and Precautions for Safe Use..... 1 copy
- Connector housing/contact 1 set (Packed in a bag; see table next.)

● Type A

Manufacturer: Molex Incorporated

Application	Housing	Contact
For power supply (CN1)	1 pc. 51103-0200 (2-poles)	19 pcs. 50351-8100
For motor (CN2)	1 pc. 51103-0500 (5-poles)	
For I/O signals (CN3)	1 pc. 51103-1200 (12-poles)	

● Type B

Manufacturer: Molex Incorporated

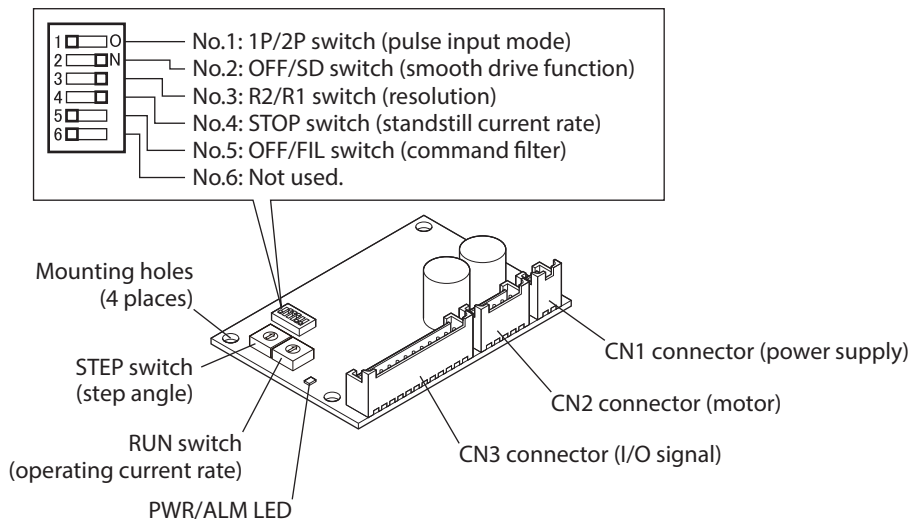
Application	Housing	Contact
For power supply (CN1)	1 pc. 51067-0200 (2-poles)	7 pcs. 50217-9101
For motor (CN2)	1 pc. 51067-0500 (5-poles)	
For I/O signals (CN3)	1 pc. 51103-1200 (12-poles)	12 pcs. 50351-8100



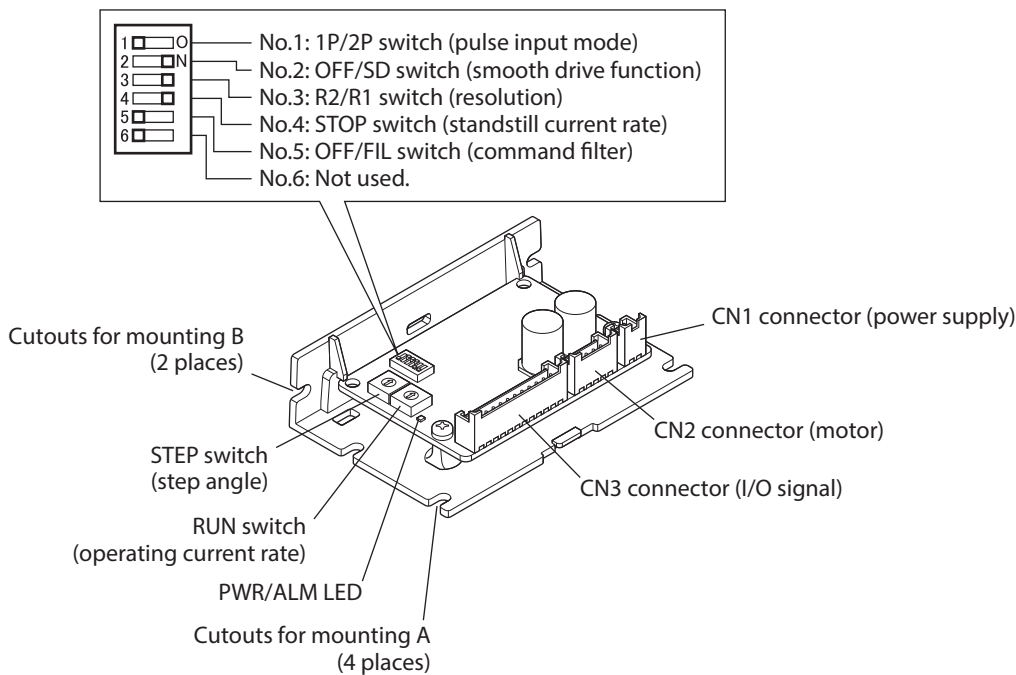
Note When removing the driver from the ESD protection bag, make sure your hands are not charged with static electricity. This is to prevent damage to the driver due to static electricity.

6-3 Names of parts

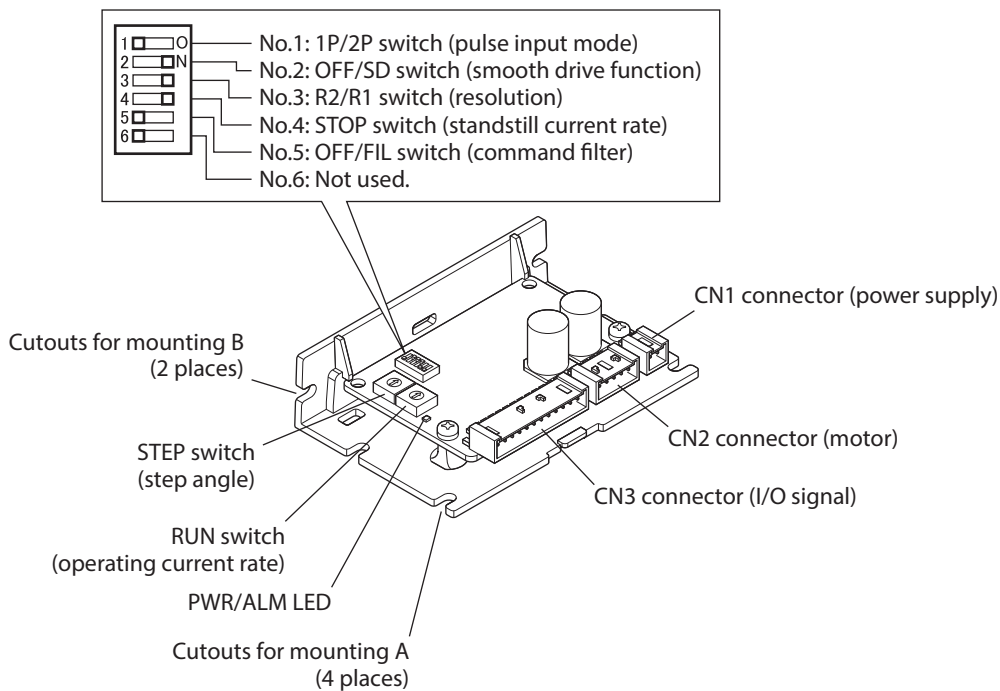
■ Driver without mounting plate



■ Driver with mounting plate



■ Driver with mounting plate Right angle type



7 Installation

7-1 Installation location

The driver is designed and manufactured to be incorporated in equipment. Install it in a well-ventilated location that provides easy access for inspection.

The location must also satisfy the following conditions:

- Inside an enclosure that is installed indoors (provide vent holes)
- Operating ambient temperature 0 to +50 °C (+32 to +122 °F) (non-freezing)
- Operating ambient humidity 85 % or less (non-condensing)
- Area free of explosive atmosphere, toxic gas (such as sulfuric gas), or liquid
- Area not exposed to direct sun
- Area free of excessive amount of dust, iron particles or the like
- Area not subject to splashing water (rain, water droplets), oil (oil droplets) or other liquids
- Area free of excessive salt
- Area not subject to continuous vibrations or excessive shocks
- Area free of excessive electromagnetic noise (from welders, power machinery, etc.)
- Area free of radioactive materials, magnetic fields or vacuum
- 1,000 m (3,300 ft.) or lower above sea level

7-2 Installation direction

Install the driver on a metal plate having excellent vibration resistance in vertically or horizontally. If the driver is installed under conditions other than vertical or horizontal position, its heat radiation effect will deteriorate. The items shown below are necessary in order to install the driver. The items are not included and must be provided by the customer.

Torque the mounting screw to 0.5 N·m (71 oz-in).

Items to be prepared	Driver type	
	Driver without mounting plate	Driver with mounting plate
M3 screw	4 pcs.	4 pcs. (2 pcs.)*
M3 spring washer	4 pcs.	4 pcs. (2 pcs.)*
M3 nut (Not necessary if screw holes are provided in the enclosure.)	4 pcs.	4 pcs. (2 pcs.)*
Spacer [5 mm (0.2 in.) or larger]	4 pcs.	–

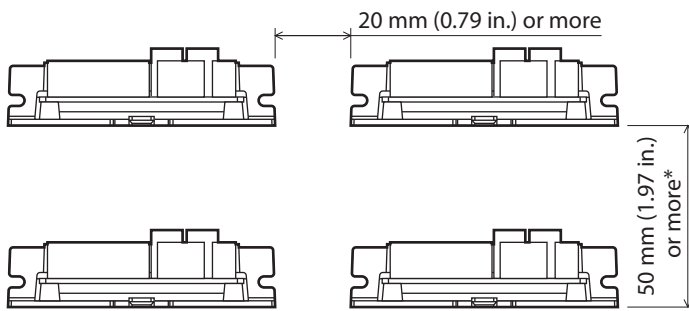
* (): When using the cutout for mounting B.

There must be clearances of at least 25 mm (0.98 in.) and 50 mm (1.97 in.) in the horizontal and vertical directions respectively, between the driver and enclosure or other equipment within the enclosure. When two or more drivers are to be installed side by side, provide clearances in the horizontal and vertical directions as shown in the figure.

- memo**
- Install the driver inside an enclosure.
 - Do not install any equipment that generates a large amount of heat or noise near the driver.
 - If the ambient temperature of the driver exceeds 50 °C (122 °F), reconsider the ventilation condition.

● **Horizontal installation**

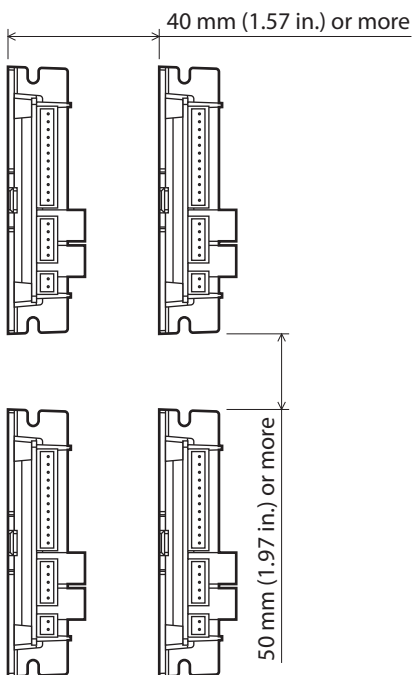
The figure shows the driver with mounting plate.



* Provide 40 mm (1.57 in.) clearances for the “driver with mounting plate” of Type A.

● **Vertical installation**

The figure shows the driver with mounting plate right angle type.

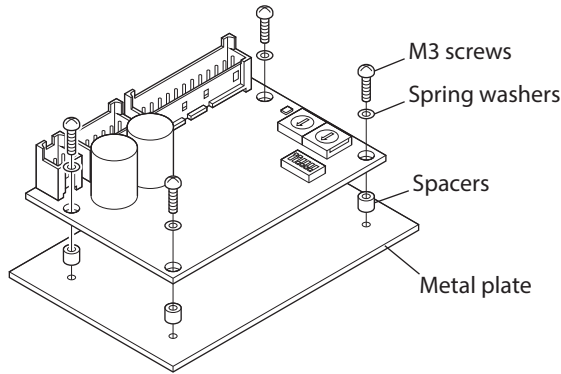


7-3 Installation method

■ Driver without mounting plate

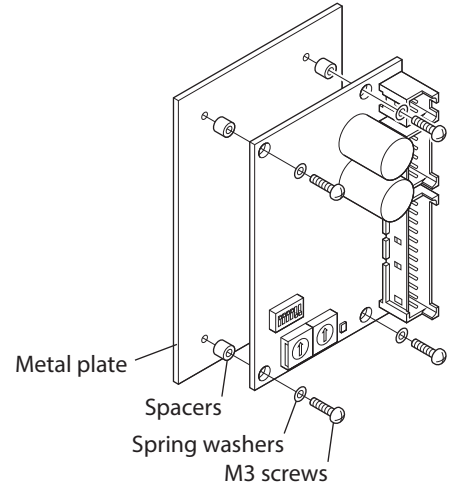
● Horizontal installation

Install the driver in a direction shown in the figure. Installing the driver upside down causes the heat radiation effect to deteriorate.



● Vertical installation

The driver can be installed in any direction.



■ Driver with mounting plate

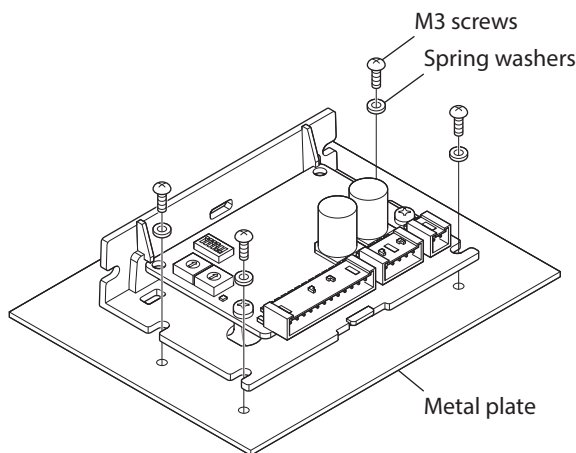
The figure shows the right angle type.

Note If both cutouts A and B are used for installation, the heat sink is distorted, causing the board to apply stress.

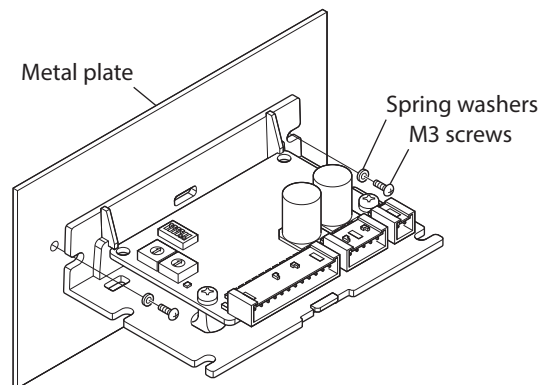
● Horizontal installation

Install the driver in a direction shown in the figure. Installing the driver upside down causes the heat radiation effect to deteriorate.

● When using the cutouts for mounting A



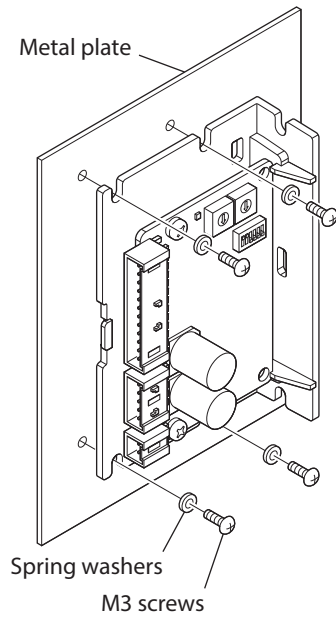
● When using the cutouts for mounting B



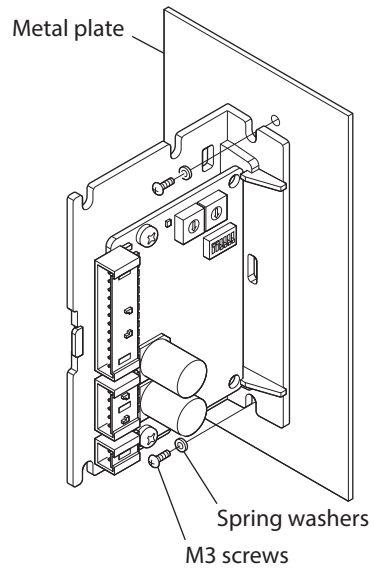
● **Vertical installation**

The driver can be installed in any direction.

- When using the cutouts for mounting A



- When using the cutouts for mounting B



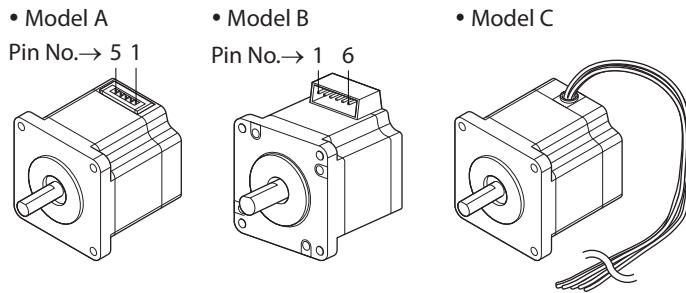
8 Connection

8-1 Connecting the motor

Connector pin assignments vary depending on the motor. Refer to the following table. "Color" in the table shows the colors of lead wires of our connection cable. The pin number is shown in the figure.

- When 2-phase stepping motor is connected

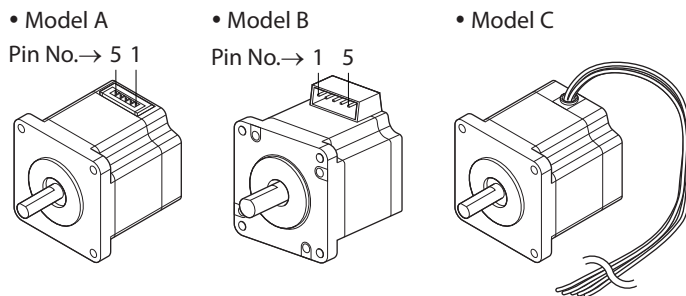
Note The motors of the Model A and Model B are different in pin assignments. Wrong connection will not cause the motor to operate properly.



Motor		Driver CN2 Pin No.				
		1	2	3	4	5
Model A	Pin No.	4	5	–	2	1
	Color	Blue	Red	–	Green	Black
Model B	Pin No.	1	3	–	6	4
	Color	Blue	Red	–	Green	Black
Model C	Color	Blue	Red	–	Green	Black

- When a 5-phase stepping motor or a motorized actuator is connected

Note The motors of the Model A and Model B are different in pin assignments. Wrong connection will not cause the motor to operate properly.



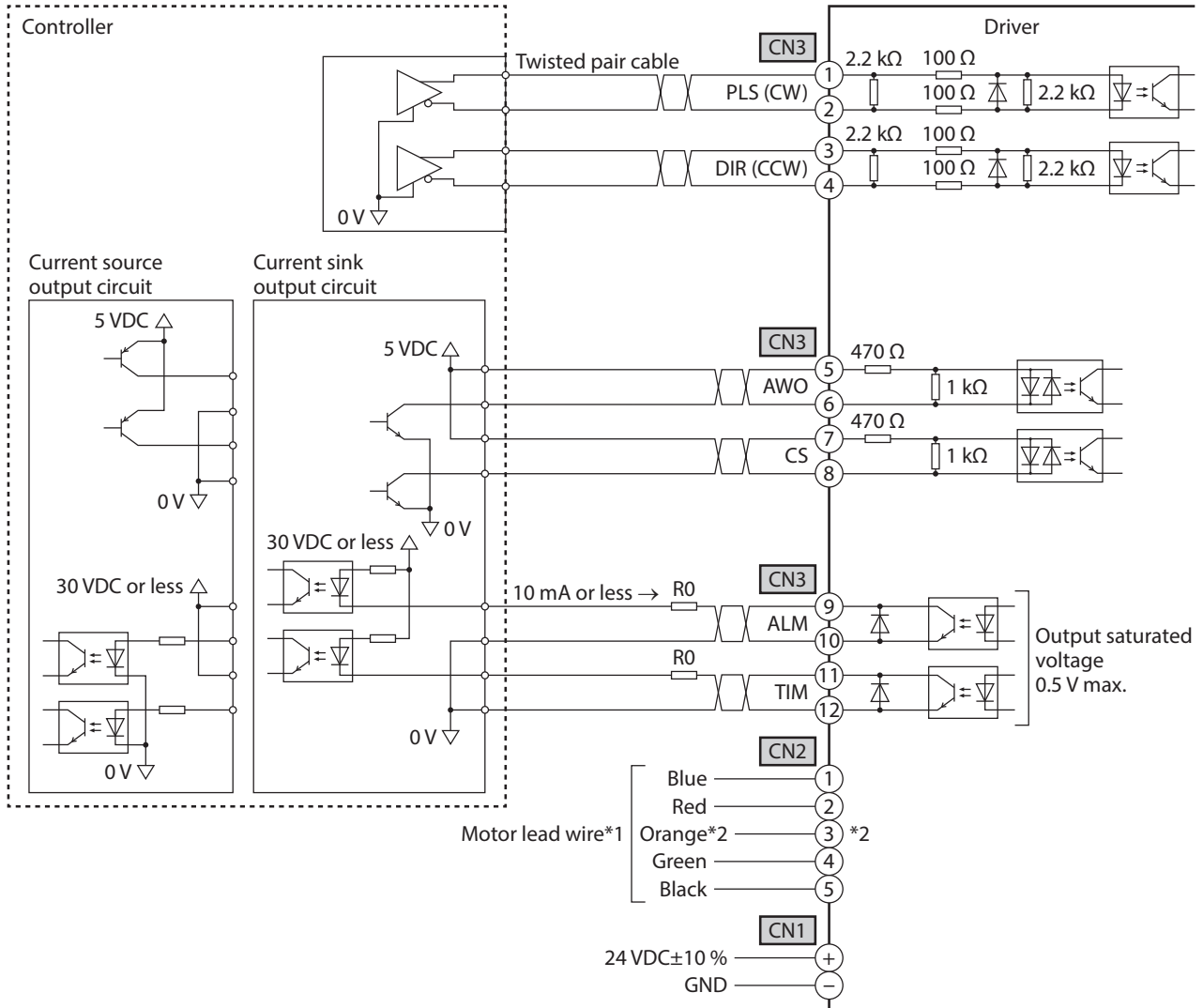
Motor		Driver CN2 Pin No.				
		1	2	3	4	5
Model A	Pin No.	5	4	3	2	1
	Color	Blue	Red	Orange	Green	Black
Model B	Pin No.	1	2	3	4	5
	Color	Blue	Red	Orange	Green	Black
Model C	Color	Blue	Red	Orange	Green	Black

8-2 Connection example

■ When using the voltage of input signals at 5 VDC

Refer to p.18 for when connecting 24 VDC.

● When pulse input is of line driver type



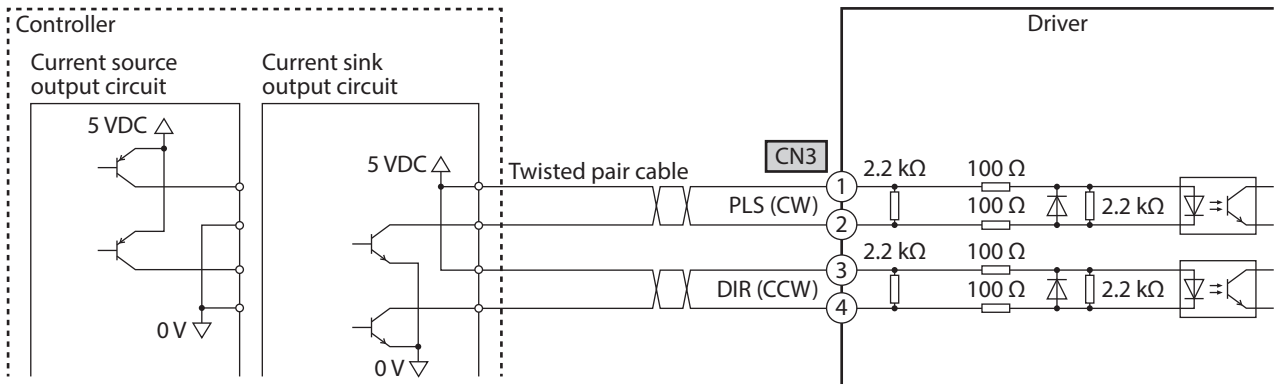
*1 Connector pin assignments vary depending on the motor. For details, refer to "8-1 Connecting the motor" on p.16.

*2 This orange lead wire is for 5-phase stepping motor. For 2-phase stepping motor, do not connect anything to the pin No.3 since there is no orange lead wire.



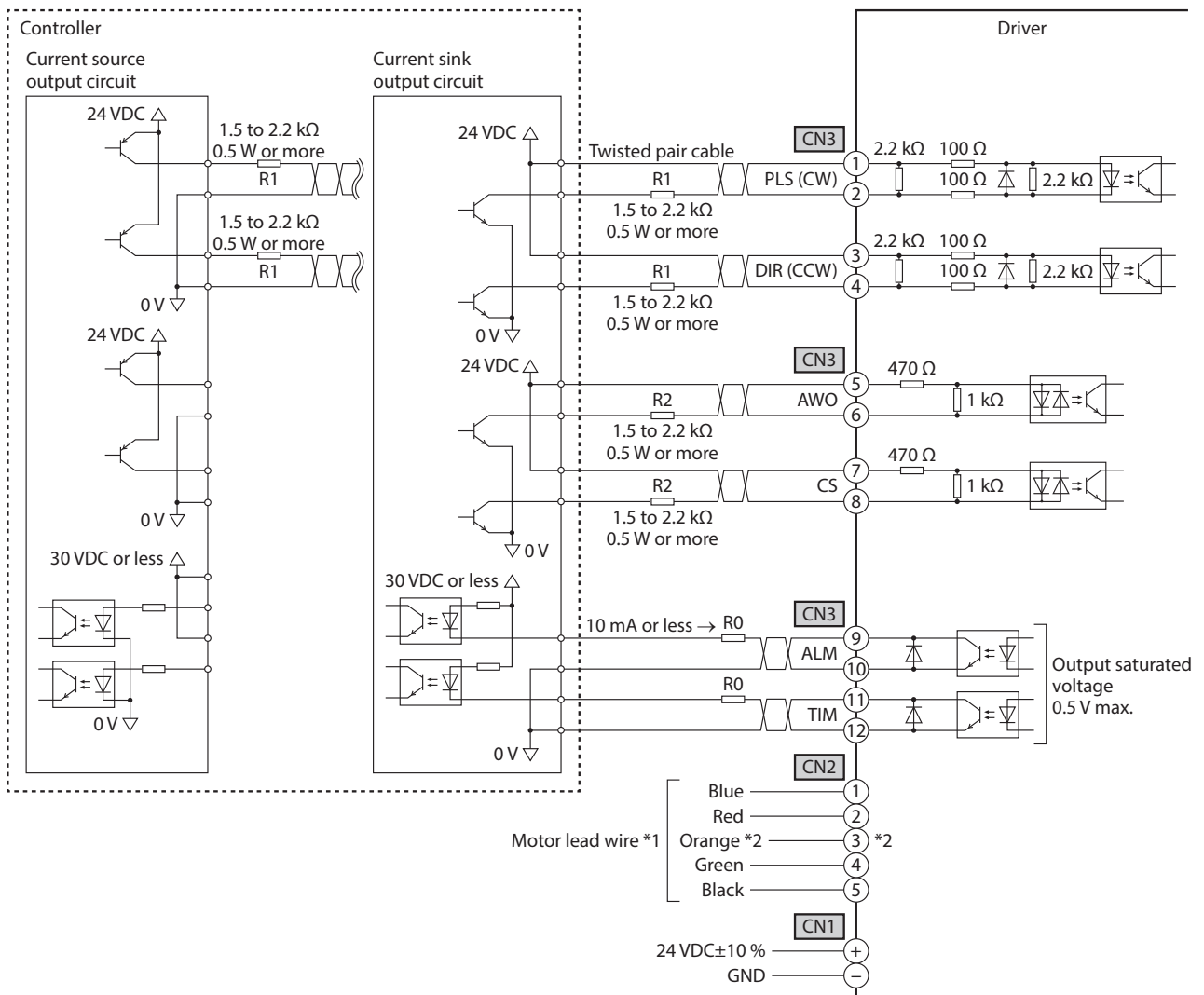
- Use output signals at 30 VDC, 10 mA or less. If the current exceeds 10 mA, connect an external resistor R0 so that the current becomes 10 mA or less.
- When the driver of the type A is used, up to three our cables can be used for the connection between the motor and driver. Keep 10 m (32.8 ft.) or less for the wiring distance between the motor and driver.
- When the driver of the type B is used, up to three our cables can be used for the connection between the motor and driver. Keep 5 m (16.4 ft.) or less for the wiring distance between the motor and driver.

● When pulse input is of open-collector type



■ When using the voltage of input signals at 24 VDC

● When pulse input is of open-collector type



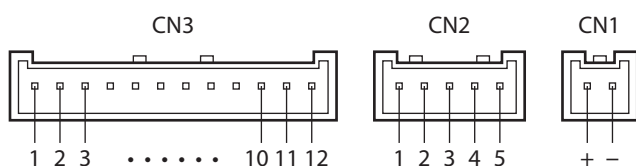
*1 Connector pin assignments vary depending on the motor. For details, refer to "8-1 Connecting the motor" on p.16.

*2 This orange lead wire is for 5-phase stepping motor. For 2-phase stepping motor, do not connect anything to the pin No.3 since there is no orange lead wire.



- The input voltage specification for the CW input and CCW input is 5 VDC. If the voltage exceeding 5 VDC is applied, connect an external resistor R1 so that the input current becomes 7 to 20 mA. Example) When the 24 VDC is connected: R1 = 1.5 to 2.2 kΩ, 0.5 W or more
- The input voltage specification for the AWO input and CS input is 5 VDC. If the voltage exceeding 5 VDC is applied, connect an external resistor R2 so that the input current becomes 5 to 15 mA. Example) When the 24 VDC is connected: R2 = 1.5 to 2.2 kΩ, 0.5 W or more
- Use output signals at 30 VDC, 10 mA or less. If the current exceeds 10 mA, connect an external resistor R0 so that the current becomes 10 mA or less.
- When the driver of the type A is used, up to three our cables can be used for the connection between the motor and driver. Keep 10 m (32.8 ft.) or less for the wiring distance between the motor and driver.
- When the driver of the type B is used, up to three our cables can be used for the connection between the motor and driver. Keep 5 m (16.4 ft.) or less for the wiring distance between the motor and driver.

8-3 Connector pin assignment



■ CN1 (power supply)

Pin No.	Direction	Signal name	Description
+	IN	POWER	+24 VDC
-			GND

■ CN2 (motor)

Pin No.	Direction	Signal name	Description
1	OUT	MOTOR	Blue motor lead wire
2			Red motor lead wire
3			Orange motor lead wire*
4			Green motor lead wire
5			Black motor lead wire

* This orange lead wire is for 5-phase stepping motor. For 2-phase stepping motor, do not connect anything to the pin No.3 since there is no orange lead wire.



Connector pin assignments vary depending on the motor. For details, refer to "8-1 Connecting the motor" on p.16.

■ CN3 (I/O signals)

Pin No.	Direction	Signal name	Description
1	IN	PLS (CW)	+
2			-
3		DIR (CCW)	+
4			-
5		AWO	+
6			-
7		CS	+
8			-
9	OUT	ALM	+
10			-
11		TIM	+
12			-

* These inputs serve as the pulse input (PLS) and rotation direction input (DIR) in the 1-pulse input mode, or CW pulse input (CW) and CCW pulse input (CCW) in the 2-pulse input mode.

8-4 Applicable connector

- For the I/O signal cable, use a twisted pair cable.
- Keep the wiring distance as short as possible [less than 2 m (6.6 ft.)] to suppress the effect of noise.

● Table 1: Type A

Connector

Manufacturer: Molex Incorporated

Type	Application	Model
Connector housing	For power supply (CN1)	51103-0200
	For motor (CN2)	51103-0500
	For I/O signals (CN3)	51103-1200
Contact	-	50351-8100
Applicable crimping tool	-	63811-8100

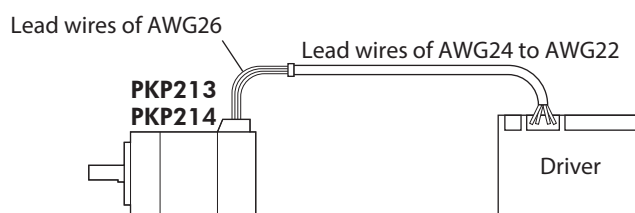
Applicable lead wire

Application	Wire size	Outer sheath diameter	Stripping length of wire insulation
For power supply (CN1)	AWG22 (0.3 mm ²)	ø1.15 to 1.8 mm (ø0.045 to 0.071 in.)	2.3 to 2.8 mm (0.091 to 0.11 in.)
For motor (CN2) For I/O signals (CN3)	AWG24 to 22 (0.2 to 0.3 mm ²)*		

* About the connector for motor (CN2) of the **CVD228** and **CVD524**, use lead wires of AWG22 (0.3 mm²)



For the motor of the frame size 20 mm (0.79 in.) [**PKP213**, **PKP214**], since the wire diameter of the motor cable is AWG26 (0.14 mm²), it is too thin to fit in the included connector for motor. Provide the lead wires of AWG24 to AWG22 (0.2 to 0.3 mm²) yourself, and connect by using it. Connection cables (without termination processing) of Oriental Motor can also be used. Check on the Oriental Motor Website for the model name.



● **Table 2: Type B**

Connector

Manufacturer: Molex Incorporated

Type	Application	Model
Connector housing	For power supply (CN1)	51067-0200
	For motor (CN2)	51067-0500
	For I/O signals (CN3)	51103-1200
Contact	For power supply (CN1)	50217-9101
	For motor (CN2)	50217-9101
	For I/O signals (CN3)	50351-8100
Applicable crimping tool	For power supply (CN1)	63811-8300
	For motor (CN2)	63811-8300
	For I/O signals (CN3)	63811-8100

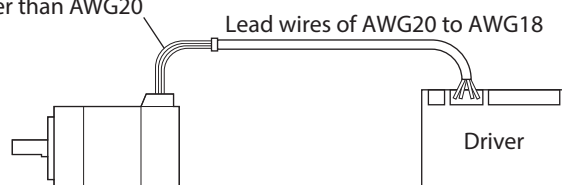
Applicable lead wire

Application	Wire size	Outer sheath diameter	Stripping length of wire insulation
For power supply (CN1) For motor (CN2)	AWG20 to AWG18 (0.5 to 0.8 mm ²)	ø1.4 to 3.0 mm (ø0.055 to 0.118 in.)	3.0 to 3.5 mm (0.118 to 0.138 in.)
For I/O signals (CN3)	AWG24 to AWG22 (0.2 to 0.3 mm ²)	ø1.15 to 1.8 mm (ø0.045 to 0.071 in.)	2.3 to 2.8 mm (0.091 to 0.11 in.)



About the connector for motor being included with the driver, motor lead wires thinner than AWG20 (0.5 mm²) cannot be connected because the applicable lead wire is from AWG20 to AWG18 (0.5 to 0.8 mm²). To connect the motor lead wires thinner than AWG20, provide lead wires of AWG20 to AWG18 by yourself, and relay to connect. Connection cables (without termination processing) of Oriental Motor can also be used. Check on the Oriental Motor Website for the model name.

Motor lead wires thinner than AWG20



8-5 Connecting the power supply

Use a power supply that can supply the following current capacity.
When the power supply is turned on, the PWR/ALM LED will be lit in green.

■ For 2-phase stepping motor

Driver model	Input power supply voltage	Power supply current capacity
CVD205	+24 VDC±10 %	0.5 A or more
CVD206		0.5 A or more
CVD215		1.9 A or more
CVD223		2.0 A or more
CVD228		3.0 A or more
CVD242		3.6 A or more
CVD245		3.9 A or more

■ For 5-phase stepping motor and motorized actuator

Driver model	Input power supply voltage	Power supply current capacity
CVD503	+24 VDC±10 %	0.6 A or more
CVD507		1.4 A or more
CVD512		1.7 A or more
CVD514		1.8 A or more
CVD518		2.8 A or more
CVD524		3.0 A or more
CVD528		4.8 A or more
CVD538		4.8 A or more

- Note**
- When connecting, pay attention to the polarity of the power supply. Reverse-polarity connection may cause damage to the driver.
 - Connect the connectors securely. Insecure connection may cause malfunction or damage to the driver.

- memo**
- When disconnecting the connector, pull out while pressing the latches on the connector with fingers.
 - Before turning on the power supply again or connecting/disconnecting the connector, turn off the power supply and check the PWR/ALM LED has been turned off.
 - Separate I/O signal cable at least 100 mm (3.94 in.) from electromagnetic relays and other than inductance loads. Additionally, route I/O signal cable perpendicular to power supply cable and motor cable, rather than in a parallel fashion.
 - Do not route the power supply cable in the same conduits as other power supply lines and motor cable.
 - If the motor cable or power supply cable generates an undesirable amount of noise depending on the wiring or configuration, shield the cable or install a ferrite core.

8-6 Explanation of I/O signals

■ Input signals

The signal input state represents "ON: Carrying current" or "OFF: Not carrying current" state of the internal photocoupler.

The interval for switching the motor direction represents the response time of the circuit. Set this interval to an appropriate time after which the motor will respond.

● PLS (CW) input, DIR (CCW) input

Set a desired pulse input mode of the driver according to the pulse output mode of the controller used with the driver.

Maximum input pulse frequency (duty cycle is 50 %)

- When the controller is of line driver type: 1 MHz
- When the controller is of open-collector type: 250 kHz

1-pulse input mode

When the PLS input is turned from OFF to ON while the DIR input is ON, the motor will rotate by one step in CW direction.

When the PLS input is turned from OFF to ON while the DIR input is OFF, the motor will rotate by one step in CCW direction.

2-pulse input mode

When the CW input is turned from OFF to ON, the motor will rotate by one step in CW direction.

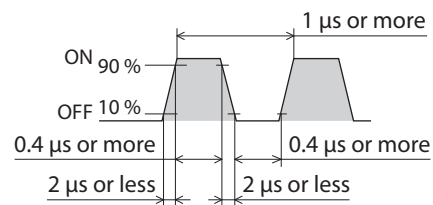
When the CCW input is turned from OFF to ON, the motor will rotate by one step in CCW direction.



- When the motor is at standstill, be sure to keep the photocoupler in OFF state.
- Do not input the CW pulse and CCW pulse simultaneously. If the other pulse is input while one of the pulse is ON, the motor cannot operate normally.

Pulse signal

Pulses with sharp rising and falling edges should be input as shown in the figure. The figure shows the voltage levels of pulse signals.



● AWO (all windings off) input

When the AWO input is turned ON, the motor current will be cut off and the motor will lose its holding torque. The motor output shaft can be turned manually.

When the AWO input is turned OFF, current will be supplied and the holding torque will be restored.

● CS (step angle switching) input

When the CS input is turned ON, the motor rotates at a basic step angle.

When the CS input is turned OFF, the motor rotates at the step angle set by the driver switch.



- Do not change the CS input while operating. The motor may lose its synchronism, causing position deviation or standstill of the motor.
- When changing the step angle using the CS input, do so while the TIM output is ON.

■ Output signals

The driver outputs signals are photocoupler/open-collector output. The signal output state represents “ON: Carrying current” or “OFF: Not carrying current” state of the internal photocoupler.

● ALM (alarm) output

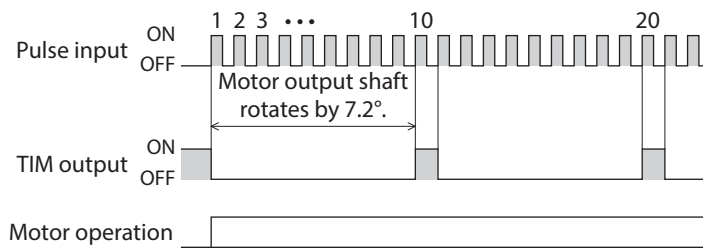
The ALM output is normally closed. If an alarm is generated, the ALM output is turned OFF to put the motor into a non-excitation state.

At the same time, the PWR/ALM LED of the driver will blink in red.

● TIM (timing) output

Every time the motor output shaft rotates by 7.2° (3.6° for high-resolution type), the motor excitation state becomes the initial setting state (step 0), and the TIM output turns ON. If an AND circuit is configured with signals of the home sensor and TIM output when the home in the equipment is detected, the tolerance for the motor stop positions in a detection range of the home sensor can be reduced and the further accurate home can be detected.

Example of the TIM output when the step angle is 0.72° (resolution 500 P/R)

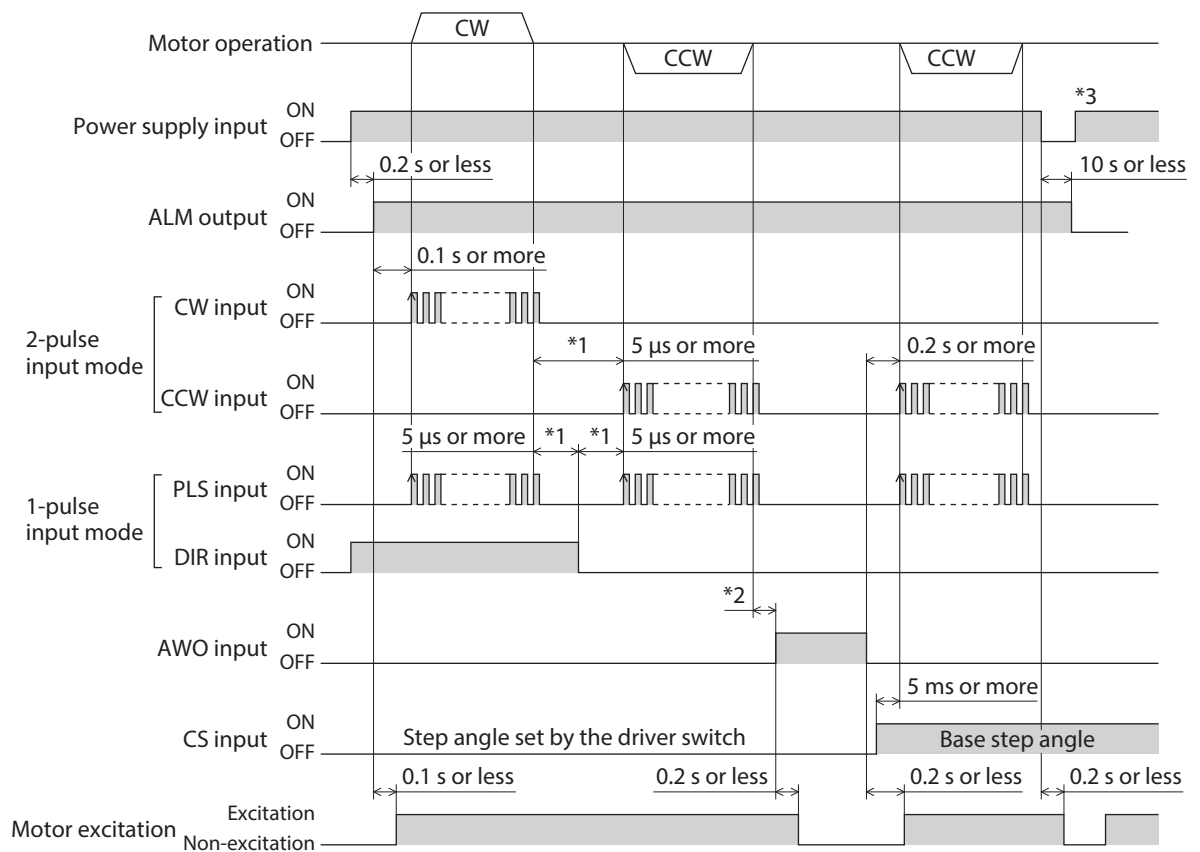


	Motor type	Number of divisions		TIM output
	Base step angle	1	10	
Standard	1.8°/step	1.8°	0.18°	every 7.2°
	0.72°/step	0.72°	0.072°	
High-resolution	0.36°/step	0.36°	0.036°	every 3.6°



- When using the TIM output, keep the input pulse frequency to be 500 Hz or less.
- When using the TIM output, set the pulse or step angle so that the motor output shaft stops at an integral multiple of 7.2°.

8-7 Timing chart



*1 The interval for switching the motor direction represents the response time of the circuit. Set this interval to an appropriate time after which the motor will respond.

*2 It varies depending on the moment of load inertia, load torque, starting frequency, and so on.

*3 When turning on the power supply again, turn off the power supply and wait for the PWR/ALM LED to turn off.

8-8 Noise elimination measures

There are two types of electrical noises: One is a noise to invade into the driver from the outside and cause the driver malfunction, and the other is a noise to emit from the driver and cause peripheral equipment malfunction. For the noise that is invaded from the outside, take measures to prevent the driver malfunction. It is needed to take adequate measures because signal lines are very likely to be affected by the noise. For the noise that is emitted from the driver, take measures to suppress it.

■ Measures against electrical noise

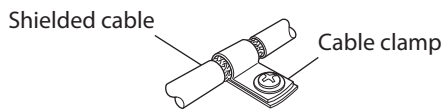
There are the following three methods mainly to take measures against the electrical noise.

● Noise suppression

- When relays or electromagnetic switches are used together with the system, use noise filters and CR circuits to suppress surges generated by them.
- Cover the driver by a metal plate such as aluminum. This is effective in shielding the electrical noise emitted from the driver.

● Prevention of noise propagation

- Place the power lines, such as the motor and power supply cables, keeping a distance of 100 mm (3.94 in.) or more from the signal lines, and also do not bundle them or wire them in parallel. If the power cables and signal cables have to cross, cross them at a right angle.
- Use shielded twisted pair cables of AWG22 (0.3 mm²) for the power supply cable of the type A. Use shielded twisted pair cables of AWG20 to AWG18 (0.5 to 0.8 mm²) for the power supply cable of the type B.
- Use shielded twisted pair cables of AWG24 to 22 (0.2 to 0.3 mm²) for signal lines.
- Keep cables as short as possible without coiling and bundling extra lengths.
- To ground a shielded cable, use a metal cable clamp that will maintain contact with the entire circumference of the cable. Ground the cable clamp near the product.



- Grounding multiple points will increase effect to block electrical noise because impedance on the grounding points is decreased. However, ground them so that a potential difference does not occur among the grounding points. I/O signal cables that include a grounding wire are provided in our product line. Check the model name on p.33.

● Suppression of effect by noise propagation

- Loop the noise propagated cable around a ferrite core. Doing so will prevent the propagated noise invades into the driver or emits from the driver. The frequency band in which an effect by the ferrite core can be seen is generally 1 MHz or more. Check the frequency characteristics of the ferrite core used. When increasing the effect of noise attenuation by the ferrite core, loop the cable a lot.
- Use the line driver type, which is less likely to be affected by electrical noise, for the output circuit of pulse signals. If the pulse signal of the controller is of the open collector type, use our pulse signal converter for noise immunity. Check the model name on p.34.

■ Our noise suppression products

Check the model name on p.33, p.34.

● I/O signal cable

This cable is a shielded twisted pair cable for good noise immunity to connect the driver and controller. The grounding wires useful to grounding are provided at both ends of the cable. The EMC testing is conducted using our I/O signal cable.

● Pulse signal converter for noise immunity

This is a noise filter for pulse signal lines. It eliminates the noise of the pulse signal, and converts the pulse signal to the line driver type.

● Surge suppressor

This product is effective to suppress the surge which occurs in a relay contact part. Connect it when using a relay or electromagnetic switch. CR circuit for surge suppression and CR circuit module are provided.

8-9 Conformity to the EMC

Effective measures must be taken against the EMI that the motor and driver may give to adjacent control-system equipment, as well as the EMS of the motor and driver itself, in order to prevent a serious functional impediment in the machinery. The use of the following installation and wiring methods will enable the motor and driver to be compliant with the EMC.

Oriental Motor conducts EMC testing on its motors and drivers in accordance with the "Example of motor and driver installation and wiring."

The user is responsible for ensuring the machine's compliance with the EMC, based on the installation and wiring explained below.

⚠ CAUTION

This equipment is not intended for use in residential environments nor for use on a low-voltage public network supplied in residential premises, and it may not provide adequate protection to radio reception interference in such environments.

● Power supply

The driver is a product of DC power input. Use a DC power supply (switched-mode power supply etc.) that conforms to the EMC.

● Ferrite core

Install the following ferrite core (or equivalent) close to the driver.
Model: ZCAT3035-1330 (TDK Corporation)

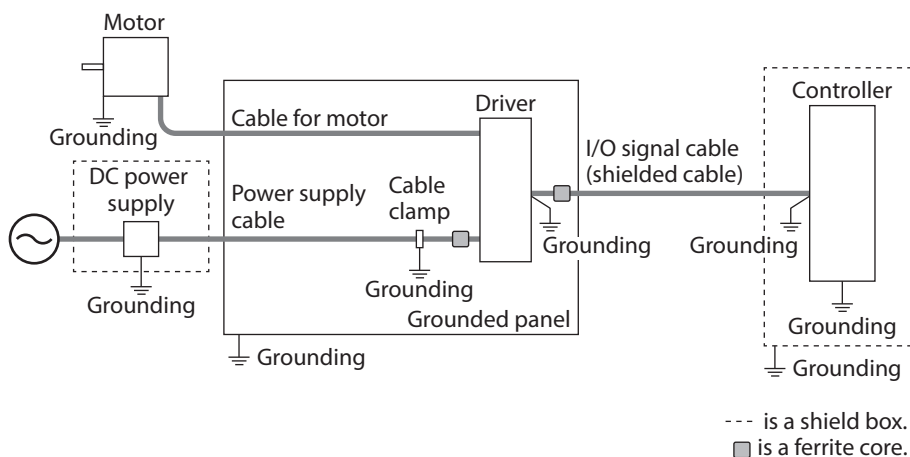
● Connecting the signal cable

Refer to "Prevention of noise propagation" on p.26.

● How to ground

- The cable used to ground the motor and driver must be as thick and short as possible so that no potential difference is generated.
- Choose a large, thick and uniformly conductive surface for the grounding point.
- Install the motor to the grounded metal plate.

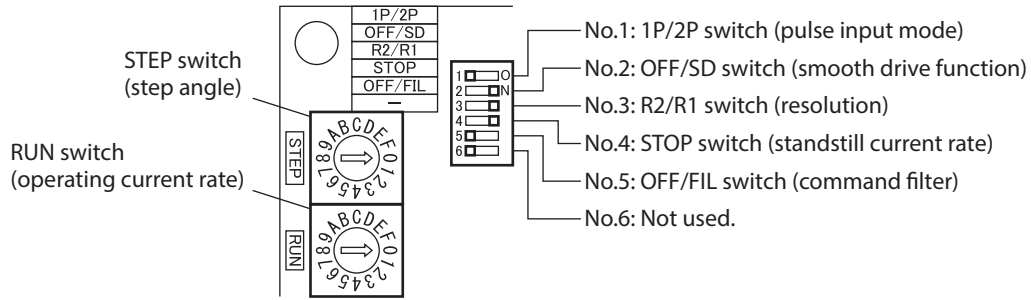
● Example of motor and driver installation and wiring



Note

The driver uses parts that are sensitive to electrostatic charge. Take measures against static electricity since static electricity may cause the driver to malfunction or suffer damage.

9 Setting



memo The STEP switch, 1P/2P switch, and R2/R1 switch are enabled after the power supply is turned on again.

9-1 Step angle

The motor step angle can be set based on a combination of the R2/R1 switch and STEP switch. See the table for the step angles that can be set.

Factory setting

- For 5-phase stepping motor and motorized actuator
R2/R1 switch: ON side (R1)
STEP switch: 0
- For 2-phase stepping motor
R2/R1 switch: OFF side (R2)
STEP switch: 0

STEP switch	R2/R1 switch ON side (R1)		R2/R1 switch OFF side (R2)	
	Resolution (P/R)	Step angle	Resolution (P/R)	Step angle
0	500	0.72°	200	1.8°
1	1,000	0.36°	400	0.9°
2	1,250	0.288°	800	0.45°
3	2,000	0.18°	1,000	0.36°
4	2,500	0.144°	1,600	0.225°
5	4,000	0.09°	2,000	0.18°
6	5,000	0.072°	3,200	0.1125°
7	10,000	0.036°	5,000	0.072°
8	12,500	0.0288°	6,400	0.05625°
9	20,000	0.018°	10,000	0.036°
A	25,000	0.0144°	12,800	0.028125°
B	40,000	0.009°	20,000	0.018°
C	50,000	0.0072°	25,000	0.0144°
D	62,500	0.00576°	25,600	0.0140625°
E	100,000	0.0036°	50,000	0.0072°
F	125,000	0.00288°	51,200	0.00703125°



- Step angles are theoretical values.
- Do not change the CS input or switches while operating. Doing so may cause loss of synchronism of the motor, resulting in the motor standstill.
- For the high-resolution type, in comparison with the standard type the resolution is twice and the step angle is one-half.
Example: When the R2/R1 switch is set to the ON side (R1) and the STEP switch is set to "0."
Resolution of the high-resolution type: $500 \times 2 = 1,000$
Step angle of the high-resolution type: $0.72^\circ/2 = 0.36^\circ$

9-2 Pulse input mode

Set a desired pulse input mode of the driver according to the pulse output mode of the controller used with the driver. Set a desired mode using the 1P/2P switch. The factory setting of the pulse input mode depends on the destination country.

9-3 Smooth drive function

The smooth drive is a function to achieve lower vibration and noise at low speeds operation without changing the step angle setting.

This function divides the step angle automatically in response to the pulse signals. It is no need to change the setting of the pulse signals (speed, number of pulses) on the controller side.

Set the smooth drive function with the OFF/SD switch.

Factory setting ON side (SD) [smooth drive function is enabled.]

9-4 Operating current

If the operating current rate is set with the RUN switch, the motor current for when inputting pulses (operating current) can be changed. If the load is small and there is an ample allowance for torque, motor temperature rise can be suppressed by setting a lower operating current rate.

The operating current is a value in which the operating current rate is multiplied by the driver rated current (100 %).

Operating current = Driver rated current \times Operating current rate

Factory setting F (operating current rate 100 %)

RUN switch	Operating current rate	RUN switch	Operating current rate
0	25 %	8	65 %
1	30 %	9	70 %
2	35 %	A	75 %
3	40 %	B	80 %
4	45 %	C	85 %
5	50 %	D	90 %
6	55 %	E	95 %
7	60 %	F	100 %

CAUTION

Set the operating current to less than the motor rated current. If the operating current is larger than the motor rated current, the motor generates heat, causing a burnout or a skin burn(s).

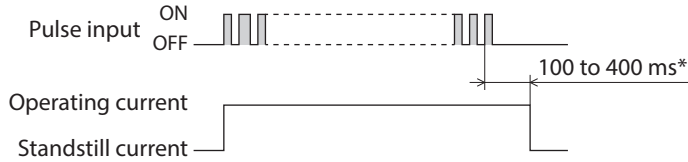
9-5 Standstill current

When the motor stops, the current cutback function will be actuated to lower the motor current to the standstill current.

The driver standstill current rate can be switched between 25 % and 50 % using the STOP switch. When setting the switch to the OFF side, the standstill current rate will be set to 25 %. When setting the switch to the ON side, the standstill current rate will be set to 50 %.

The standstill current is a value in which the standstill current rate is multiplied by the operating current.
 Standstill current = Operating current set with the RUN switch × Standstill current rate

Factory setting ON side (standstill current rate 50 %)



* The specific time varies depending on the load or operating pattern.

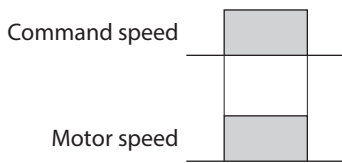
9-6 Command filter

The motor response corresponding to input pulses can be adjusted with the OFF/FIL switch. When the switch is set to the ON side, starting/stopping of the motor becomes smooth. Note, however, that synchronization performance in response to the commands is decreased.

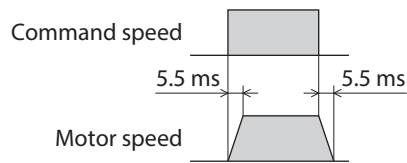
Set an appropriate value according to the specific load and purpose.

Factory setting OFF side (command filter is not used)

- When the command filter is not used



- When the command filter is used



10 Inspection

It is recommended that periodic inspections are conducted for the items listed below after each operation of the motor. If an abnormal condition is noted, discontinue any use and contact your nearest Oriental Motor sales office.

Inspection item

- Check if the installation place of the driver is loose.
- Check if dust and others attach on the driver.
- Check if the driver has unusual smells or appearance defects.

Note The driver uses semiconductor components. Static electricity may damage the semiconductor components of the driver, so be extremely careful when handling the driver.

11 Alarms

If the driver protective function is activated to generate an alarm, the ALM output is turned OFF to put the motor into a non-excitation state.

At the same time, the PWR/ALM LED will blink in red. The cause of the alarm can be checked by counting the number of times the PWR/ALM LED blinks.

■ Alarm list

Number of times LED blinks	Alarm type	Cause	Remedial action
2	Overheat	The temperature of the driver circuit board reached 85 °C (185 °F).	Reconsider the ventilation condition.
3	Overvoltage	The power supply voltage exceeded 43.1 V.	Check the input voltage of the power supply.
		A large inertia load was stopped abruptly. Elevating drive of a large inertia load was performed.	If this alarm generates during operation, reduce the load or increase the acceleration/deceleration.
5	Overcurrent	Excessive current was flowed through the driver output circuit for motor.	Turn off the power supply and check that the motor, cable and driver are not damaged.
9	EEPROM error	The stored data in the driver was damaged.	Contact your nearest Oriental Motor sales office.
Light	CPU error	CPU malfunctioned.	Turn on the power supply again.

■ Alarm reset

When the power supply is turned on again, the alarm will be reset. Before resetting an alarm, always remove the cause of the alarm and ensure safety.

12 Cables

12-1 Connection cable sets

For the connection cable set, a set of three cables for the power supply, motor, and input/output signals is provided.

Model	Applicable driver	Length [m (ft.)]	Conductor
LCS01CVK2	Type A	0.6 (2)	AWG22 (0.3 mm ²)
LCS02CVK2	Type B		AWG20 (0.5 mm ²)*1 AWG22 (0.3 mm ²)*2
LCS04SD5	Type A		AWG22 (0.3 mm ²)
LCS05SD5	Type B		AWG20 (0.5 mm ²)*1 AWG22 (0.3 mm ²)*2

*1 For the power supply and motor

*2 For the input/output signals

12-2 I/O signal cables

This is a shielded twisted pair cable for the driver control I/O signals (12 pins) that has good noise immunity. The grounding wires useful to grounding are provided at both ends of the cable.

Model	Length [m (ft.)]	Conductor
CC12D005-2	0.5 (1.6)	AWG24 (0.2 mm ²)
CC12D010-2	1 (3.3)	
CC12D015-2	1.5 (4.9)	
CC12D020-2	2 (6.6)	

13 Accessories

■ Pulse signal converter for noise immunity

This product converts a pulse signal, which is output from the open collector output, to a pulse signal for good noise immunity by outputting the pulse signal again from the differential output.

Model: **VCS06**

■ CR circuit for surge suppression

This product is effective to suppress the surge which occurs in a relay contact part. Use it to protect the contacts of the relay or switch.

Model: **EPCR1201-2**

■ CR circuit module

This product is effective to suppress the surge which occurs in a relay contact part. Use this product to protect the contacts of the relay or switch.

Four pieces of CR circuit for surge suppression are mounted on the compact circuit, and this product can be installed to the DIN rail. This product can make the wiring easily and securely since it also supports terminal block connection.

Model: **VCS02**

■ Circuit protection cover

This is a cover to protect the circuit board as well as to prevent from contacting to the live connections. It can be used for the driver with mounting plate right angle type.

Model: **PADC-CVD**

- Unauthorized reproduction or copying of all or part of this manual is prohibited.
- Oriental Motor shall not be liable whatsoever for any problems relating to industrial property rights arising from use of any information, circuit, equipment or device provided or referenced in this manual.
- Characteristics, specifications and dimensions are subject to change without notice.
- While we make every effort to offer accurate information in the manual, we welcome your input. Should you find unclear descriptions, errors or omissions, please contact your nearest Oriental Motor sales office.
- **Orientalmotor** is a registered trademark or trademark of Oriental Motor Co., Ltd., in Japan and other countries.

© Copyright ORIENTAL MOTOR CO., LTD. 2015

Published in April 2023

- Please contact your nearest Oriental Motor office for further information.

ORIENTAL MOTOR U.S.A. CORP.
 Technical Support Tel:800-468-3982
 8:30am EST to 5:00pm PST (M-F)
www.orientalmotor.com

ORIENTAL MOTOR (EUROPA) GmbH
 Schiessstraße 44, 40549 Düsseldorf, Germany
 Technical Support Tel:00 800/22 55 66 22
www.orientalmotor.de

ORIENTAL MOTOR (UK) LTD.
 Unit 5 Faraday Office Park, Rankine Road,
 Basingstoke, Hampshire RG24 8QB UK
 Tel:+44-1256347090
www.oriental-motor.co.uk

ORIENTAL MOTOR (FRANCE) SARL
 Tel:+33-1 47 86 97 50
www.orientalmotor.fr

ORIENTAL MOTOR ITALIA s.r.l.
 Tel:+39-02-93906347
www.orientalmotor.it

ORIENTAL MOTOR ASIA PACIFIC PTE. LTD.
 Singapore
 Tel:1800-842-0280
www.orientalmotor.com.sg

ORIENTAL MOTOR (MALAYSIA) SDN. BHD.
 Tel:1800-806-161
www.orientalmotor.com.my

ORIENTAL MOTOR (THAILAND) CO., LTD.
 Tel:1800-888-881
www.orientalmotor.co.th

ORIENTAL MOTOR (INDIA) PVT. LTD.
 Tel:1800-120-1995 (For English)
 1800-121-4149 (For Hindi)
www.orientalmotor.co.in

TAIWAN ORIENTAL MOTOR CO., LTD.
 Tel:0800-060708
www.orientalmotor.com.tw

SHANGHAI ORIENTAL MOTOR CO., LTD.
 Tel:400-820-6516
www.orientalmotor.com.cn

INA ORIENTAL MOTOR CO., LTD.
 Korea
 Tel:080-777-2042
www.inaom.co.kr

ORIENTAL MOTOR CO., LTD.
 4-8-1 Higashiueno, Taito-ku, Tokyo
 110-8536 Japan
 Tel:+81-3-6744-0361
www.orientalmotor.co.jp