



Brushless Motor

BLV Series R Type

OPERATING MANUAL

Installation and Connection Edition

Before using the product

Safety precautions

Precautions for use

Checking the product

Installation

Connection

Guidance

Inspection and maintenance

Appendix

Thank you for purchasing an Oriental Motor product.

This Operating Manual describes product handling procedures and safety precautions.

- Please read it thoroughly to ensure safe operation.
- Always keep the manual where it is readily available.

1	Before using the product.....	3
2	Safety precautions	4
3	Precautions for use	6
4	Checking the product.....	9
4-1	Package contents.....	9
4-2	How to identify the product model	10
4-3	Information about nameplate.....	11
4-4	Products possible to combine.....	12
4-5	Names and functions of parts	14
4-6	Indication of LEDs	16
5	Installation	18
5-1	Installation location	18
5-2	How to Install the motor	18
5-3	Installing a load	23
5-4	Permissible radial load and permissible axial load	25
5-5	How to install the driver	26
6	Connection	27
6-1	System configuration	27
6-2	Connecting the main power supply (CN1)	28
6-3	Connecting the motor and the driver (CN2, CN3).....	29
6-4	Connecting the motor and the connection cable (Connector Type).....	29
6-5	Connecting the I/O signals (CN4).....	30
6-6	Grounding the motor	36
6-7	Grounding the driver.....	36
6-8	Connecting the USB cable.....	36
6-9	Noise elimination measures.....	37
6-10	Conformity to the EMC Directive	38
7	Guidance.....	40
7-1	Setting of RS-485 communication.....	40
7-2	Setting of CAN communication.....	43
8	Inspection and maintenance	45
8-1	Inspection	45
8-2	Warranty.....	45
8-3	Disposal	45
9	Appendix	46
9-1	Timing chart.....	46
9-2	Alarm list	46
9-3	Specifications	48
9-4	Regulations and standards.....	53

1 Before using the product

Only qualified personnel of electrical and mechanical engineering should work with the product.

Use the product correctly after thoroughly reading the section "2 Safety precautions." In addition, be sure to observe the contents described in warning, caution, and note in this manual.

The product described in this manual is designed and manufactured to be incorporated in general industrial equipment. Do not use for any other purpose.

For the power supply, use a DC power supply with reinforced insulation on its primary and secondary sides. Oriental Motor Co., Ltd. is not responsible for any compensation for damage caused through failure to observe this warning.

■ Overview of the product

● Compact and light weight

Compact and lightweight are achieved, offering the dimensions of 65 mm × 75 mm × 29 mm (2.56 in. × 2.95 in. × 1.14 in.) and the mass of 0.12 kg (0.26 lb.).

● Compatible with battery drive

This product is compatible with the allowable operating voltage of 15 VDC to 55 VDC, taking into account voltage fluctuations.

● Stability at low speeds

Excellent stability at low speeds is obtained in comparison with conventional brushless motors. Using this product can achieve smooth starting and stopping of equipment.

● Compatible with network communications

Parameters can be set and operation can be executed or stopped via communications of RS-485 (Modbus RTU) or CAN (CANopen).

Parameters can also be set using the support software.

■ Related operating manuals





Operating manuals are not included with the product. Download them from Oriental Motor Website Download Page or contact your nearest Oriental Motor sales office.

Operating manual name	Manual number
BLV Series R Type OPERATING MANUAL Installation and Connection Edition (this document)	HP-5140
BLV Series R Type OPERATING MANUAL Function Edition	HP-5142
BLV Series R Type Driver CANopen Communication Profile	HP-5143

2 Safety precautions

The precautions described below are intended to ensure the safe and correct use of the product, and to prevent the customer and others from exposure to the risk of injury. Use the product only after carefully reading and fully understanding these instructions.

Description of signs

 WARNING	Handling the product without observing the instructions that accompany a "WARNING" symbol may result in serious injury or death.
 CAUTION	Handling the product without observing the instructions that accompany a "CAUTION" symbol may result in injury or property damage.
	The items under this heading contain important handling instructions that the user should observe to ensure safe use of the product.
	The items under this heading contain related information and contents to gain a further understanding of the text in this manual.




Explanation of graphic symbols




Indicates "prohibited" actions that must not be performed.





Indicates "compulsory" actions that must be performed.

 WARNING	
	<ul style="list-style-type: none"> Do not use the product in explosive or corrosive environments, in the presence of flammable gases, in places subjected to splashing water, or near combustibles. Doing so may result in fire, electric shock, or injury. Do not transport, install, connect or inspect the product while the power is supplied. Always turn off the power before carrying out these operations. This may result in electric shock or damage to equipment. Do not use a motor without an electromagnetic brake in an application of vertical drive such as elevating equipment. If the alarm function (protective function) of the driver is activated, the motor will stop operating. This may cause the moving part to fall, resulting in injury or damage to equipment. Do not use the brake mechanism of the electromagnetic brake motor as a safety brake. It is intended to hold the moving part and motor positions. Using it as a safety brake may result in injury or damage to equipment. When using the electromagnetic brake motor in an application of vertical drive such as elevating equipment, be sure to check the load condition sufficiently before operating. If a load in excess of the rated torque is applied or the small torque limiting value is set, the load may fall. This may cause injury or damage to equipment. Do not machine or modify the cable. Doing so may result in fire, electrical shock, or damage to equipment. Do not forcibly bend, pull, or pinch the cable. Doing so may result in fire, electrical shock, or damage to equipment. Do not touch the motor or driver when conducting the insulation resistance measurement or dielectric strength test. Accidental contact may result in electric shock. Do not disassemble or modify the motor and the driver. Doing so may result in electric shock, injury, or damage to equipment. Refer all such internal inspections and repairs to the branch or sales office from which you purchased the product.
	<ul style="list-style-type: none"> Only qualified and educated personnel should be allowed to perform installation, connection, operation and inspection/troubleshooting of the product. Handling by unqualified and uneducated personnel may result in fire, electric shock, injury, or damage to equipment. Use a motor and a driver only in the specified combination. An incorrect combination may cause fire, electric shock, or damage to equipment.

WARNING

- | | |
|---|--|
|  | <ul style="list-style-type: none"> • If the alarm function (protective function) of the driver is activated, remove the cause before resetting the alarm. Continuing the operation without removing the cause of the problem may result in malfunction of the motor, leading to injury or damage to equipment. • Install the motor and driver in an enclosure. Inappropriate installation may result in injury. • Always keep the power supply voltage of the driver within the specified range. Failure to do so may result in fire, electric shock, or damage to equipment. • Connect the cables securely according to the wiring example. Failure to do so may result in fire, electric shock, or damage to equipment. • For a main power supply and a power supply for communication, use a battery or a DC power supply with reinforced insulation on its primary and secondary sides. Failure to do so may result in electric shock. • Turn off the main power supply in the event of a power failure. Otherwise, the motor may suddenly start when the power is restored, causing injury or damage to equipment. • Always turn off the power before performing maintenance or inspection. Failure to do so may result in electric shock. |
|---|--|

CAUTION

- | | |
|---|---|
|  | <ul style="list-style-type: none"> • Do not use the motor and driver beyond its specifications. Doing so may result in fire, electric shock, injury, or damage to equipment. • Do not touch the motor and driver while operating or immediately after stopping. The surface is hot, and this may cause a skin burn(s). • Keep the area around the motor and driver free of combustible materials. Failure to do so may result in fire or a skin burn(s). • Do not leave anything around the motor and driver that would obstruct ventilation. Doing so may result in damage to equipment. • Do not lift up the motor by holding the output shaft or the cable. Doing so may result in injury. • Do not touch the motor output shaft (shaft end or pinion) with bare hands. Doing so may result in injury. • When assembling the motor with the gearhead, exercise caution not to pinch your fingers or other parts of your body between the motor and gearhead. Injury may result. • When installing the motor in equipment, exercise caution not to pinch your fingers or other parts of your body between the product and equipment. Injury may result. • Do not touch the rotating part (output shaft) while operating the motor. Doing so may result in injury. |
|  | <ul style="list-style-type: none"> • Securely install the motor and driver to the mounting plate. Inappropriate installation may cause the motor or driver to detach and fall, resulting in injury or damage to equipment. • Make sure the wiring for the power supply does not disconnect. This may result in damage to equipment. • When moving the moving part by hands, put the motor into a non-excitation state. Operating in a state where the motor is excited may cause injury. • Provide a cover over the rotating part (output shaft). Failure to do so may result in injury. • Pay enough attention to safe operation when starting and stopping the motor by switching ON-OFF of the power supply. Failure to do so may result in injury or damage to equipment. • Securely install a load to the output shaft. Failure to do so may result in injury. • Be sure to ground the motor and driver to prevent them from being damaged by static electricity. Failure to do so may result in fire or damage to equipment. • Provide an emergency stop device or emergency stop circuit external to the equipment so that the entire equipment will operate safely in the event of a system failure or malfunction. Failure to do so may result in injury. • Immediately when a problem occurred, stop operation and turn off the main power supply. Failure to do so may result in fire, electrical shock, or injury. • The motor surface temperature may exceed 70 °C (158 °F) even under normal operating conditions. If the operator is allowed to approach the motor in operation, attach a warning label in a conspicuous position as shown in the figure. The surface is hot, and this may cause a skin burn(s). |



Warning label

3 Precautions for use

This section covers restrictions and requirements the user should consider when using the product.

■ Wiring

● Connecting a motor and a driver

The dedicated connection cable (sold separately) is required since a 60 W motor is the connector type. (p.14)

Use the dedicated connection cable (sold separately) when extending the wiring distance between the motor and the driver.

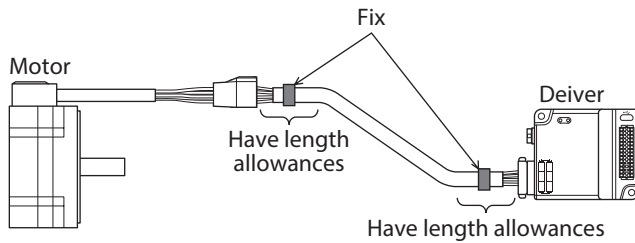
● Notes when the cable is used

Note the following points when the cable is used.

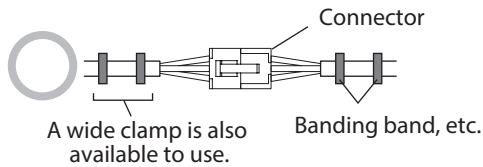
How to fix the cable

Fix the cable at the positions near the connector so that no stress due to the bending or self-weight of the cable is applied on the connector.

Also, do not excessively bend the cable near the connection part of the connector. Applying stress on the cable may cause poor contact or disconnection, leading to malfunction or heat generation.

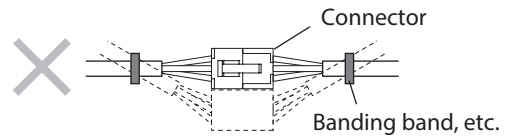


● Fixing at two places on each side



Fix using two cable ties or a wide clamp.

● Fixing at one place on each side

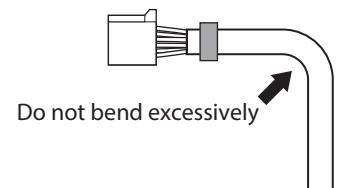


When the cable is moved, it causes the connectors to move, causing stress to apply on the connector part.

When bending the cable

Do not excessively bend the cable.

Applying stress on the cable may cause poor contact or disconnection, leading to malfunction or heat generation.



● Note when connecting a power supply whose positive terminal is grounded

The USB connector on the driver is not electrically insulated. When grounding the positive terminal of the power supply, do not connect any equipment (PC, etc.) whose negative terminal is grounded. Doing so may cause the driver and these equipment to short, damaging both.

● Noise elimination measures

Refer to p.37 for noise elimination measures.

■ Installation

● Grease measures

On rare occasions, grease may ooze out from the gearhead. If there is concern over possible environmental contamination resulting from the leakage of grease, check for grease stains during regular inspections. Alternatively, install an oil pan or other device to prevent damage resulting from contamination. Grease leakage may lead to problems in the user's equipment or products.

● When using in low temperature environment

When an ambient temperature is low, a load torque may increase due to the oil seal or viscosity increment of grease used in the gearhead, and the output torque may decrease or the overload alarm may be generated. However, as time passes, the oil seal or grease is warmed up, and the motor can be operated without generating the overload alarm.

● Apply grease to the hollow output shaft of a hollow shaft flat gearhead.

When using a hollow shaft flat gearhead, apply grease (molybdenum disulfide grease, etc.) on the surface of the load shaft and inner walls of the hollow output shaft to prevent seizure.

■ Insulation resistance measurement and dielectric strength test

● Do not conduct the insulation resistance measurement or the dielectric strength test with the motor and driver connected.

Conducting the insulation resistance measurement or dielectric strength test with the motor and driver connected may result in damage to the product.

■ Operations

● Regeneration energy

When the motor is used in operation such as rapid acceleration/deceleration of an inertia body or vertical drive (elevating equipment), regeneration energy may generate. Since the driver has no function to consume regeneration energy, if the output capacity or overvoltage allowance of the DC power supply is small, the protective function for the power supply or driver may be activated to stop the motor. When performing these operations, use a DC power supply or battery that has a large output capacity or overvoltage allowance.

If the protective function for the power supply or driver is activated, contact your nearest Oriental Motor sales office.

● Use an electromagnetic brake motor in an application of vertical drive such as elevating equipment.

When the motor is used in an application of vertical drive such as elevating equipment (lifting and lowering device), use an electromagnetic brake motor so that the load can be held in position.

● The electromagnetic brake of the motor is used for holding the motor shaft. Actuating the electromagnetic brake to hold the motor shaft while the motor is rotating may result in damage to equipment.

● Rotation direction of the gearhead output shaft, CS geared motor

Combination type-parallel shaft gearhead

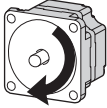
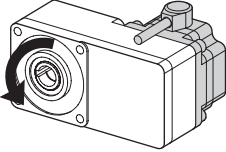
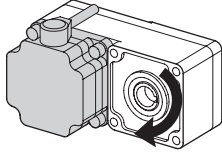
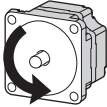
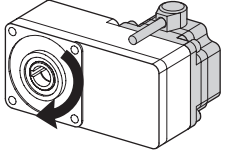
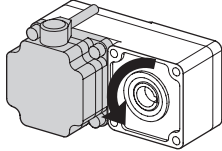
The rotation direction of the gearhead output shaft may vary with that of the motor output shaft depending on the gear ratio of the gearhead.

Gear ratio	Rotation direction of the gearhead output shaft
5, 10, 15, 20	Same direction as the motor output shaft
30, 50, 100*	Opposite direction to the motor output shaft

* Same direction as the motor output shaft when the gear ratio is 100 for the 200 W type

Combination type-hollow shaft flat gearhead

The rotation directions of the gearhead output shaft relative to the motor output shaft are as shown in the figures below.

Motor output shaft	Gearhead output shaft	
	Front	Rear
		
		

- **Sliding noise of electromagnetic brake**

Sliding noise of the brake disk for the electromagnetic brake motor may be generated during operation. It is no functional problem.

- **Power removal function**

- If the power removal function is activated, the motor holding force is lost and the motor output shaft may be rotated by external forces (gravity on a vertical axis, etc.). If the motor output shaft is required to hold in position, install an external brake mechanism or equivalent. Failure to do so may result in injury or damage to equipment.
- The power removal function is a function to shut off the power supply to the motor by stopping operation of the inverter circuit. It is not a function to physically shut off the driver and the motor. When touching the driver or the motor, turn off the driver power and check the PWR/SYS LED is turned off. Failure to do so may result in electric shock.
- Be sure to check the motor is in a standstill state before transitioning to the power removal status. Transitioning to the power removal status while the motor is rotating may cause damage to the motor, driver, or equipment.

- **Saving the data**

- **Notes when saving the data to the non-volatile memory**

Do not turn off the power supply while writing the data to the non-volatile memory, and also do not turn off for five seconds after the completion of writing the data. Doing so may abort writing the data and cause an alarm of EEPROM error to generate.

The non-volatile memory can be rewritten approximately 100,000 times.

4 Checking the product

4-1 Package contents

Verify that the items listed below are included.

Report any missing or damaged items to the branch or sales office from which you purchased the product.

■ Motor

● Combination type-parallel shaft gearhead, CS geared motor

- Motor 1 unit
- Mounting screw 1 set
(hexagonal socket head screw, plain washer, spring washer: each 4 pieces,
parallel key*: 1 piece)
- Instructions and Precautions for Safe Use 1 copy

* For the combination type of 200 W and 400 W and the **CS** geared motor, the parallel key is fixed to the gearhead output shaft.



The **CS** geared motor is a product that integrates a motor with a gearhead. Do not disassemble the gearhead from the motor.

● Combination type-hollow shaft flat gearhead

- Motor 1 unit
- Mounting screw 1 set
(hexagonal socket head screw, plain washer, spring washer, nut*: each 4 pieces,
parallel key: 1 piece)
- Safety cover 1 set
(safety cover: 1 piece, mounting screw for safety cover: 2 pieces)
- Instructions and Precautions for Safe Use 1 copy

* Nuts are not included with the 200 W and 400 W types.

● Round shaft type

- Motor 1 unit
- Instructions and Precautions for Safe Use 1 copy

■ Driver

- Driver 1 unit
- Instructions and Precautions for Safe Use 1 copy

4-2 How to identify the product model

■ Motor

● Cable type

BLMR 6 200 S K M - 10 FR - F
 1 2 3 4 5 7 8 9 10

● Connector type

BLMR 4 60 S H K - 10 FR
 1 2 3 4 5 6 8 9

1	Motor type	BLMR: BLV Series R Type Motor
2	Frame size	2: 60 mm (2.36 in.) 5: 90 mm (3.54 in.) 6: 104 mm (4.09 in.)
3	Output power	60: 60 W 100: 100 W 200: 200 W 400: 400 W
4	Identification code	S
5	Motor connection method	H: Connector type
6	Power supply input	K: DC power input
7	Motor additional function	M: With electromagnetic brake
8	Gear ratio, Motor shaft type	Number: Gear ratio of gearhead A: Round shaft type
9	Gearhead type	Blank: Parallel shaft gearhead GFV gearhead FR: Hollow shaft flat gearhead FR gearhead CS: CS geared
10	Cable outlet direction	F: Output shaft side B: Opposite to output shaft side

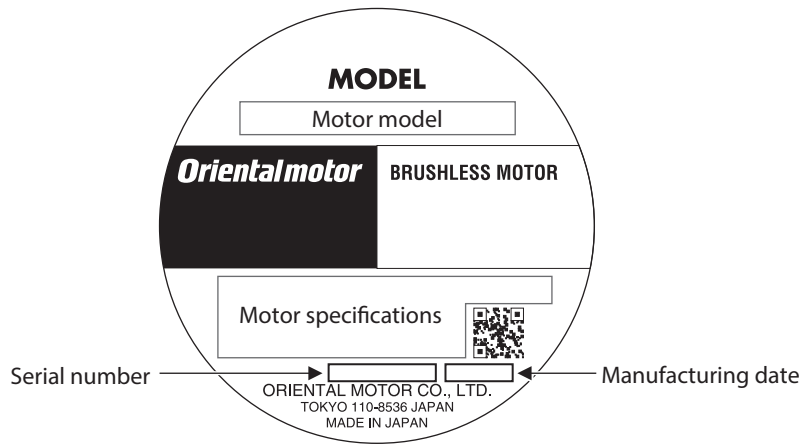
■ Driver

BLVD - K R D
 1 2 3

1	Driver type	BLVD: BLV Series driver
2	Power supply input	K: DC power input
3	Type	R: R type

4-3 Information about nameplate

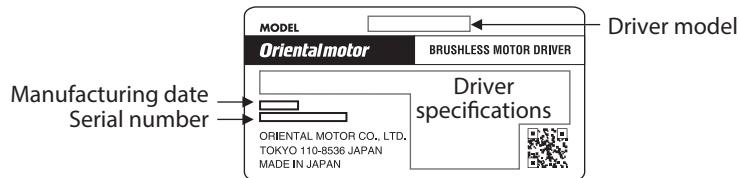
■ Motor



■ Gearhead



■ Driver



4-4 Products possible to combine

Verify the model name of the purchased product against the model shown on the package label.
Check the motor model and the gearhead model against the model name shown on their nameplates, respectively.

- The box (□) in the model name indicates a number representing the gear ratio.
- The box (◆) in the model name indicates **F** or **B** representing the cable outlet direction.

■ Combination type-parallel shaft gearhead

Output power	Combination type motor			Driver
	Model	Motor model	Gearhead model	Model
60 W	BLMR460SHK-□	BLMR460SHK-GFV	GFV4G□	BLVD-KRD
100 W	BLMR5100K-□-◆	BLMR5100K-GFV-◆	GFV5G□	
200 W	BLMR6200SK-□-◆	BLMR6200SK-GFV-◆	GFV6G□	
400 W	BLMR6400SK-□-◆	BLMR6400SK-GFV-◆		

■ Combination type-hollow shaft flat gearhead

Output power	Combination type motor			Driver
	Model	Motor model	Gearhead model	Model
60 W	BLMR460SHK-□FR	BLMR460SHK-GFV	GFS4G□FR	BLVD-KRD
100 W	BLMR5100K-□FR-◆	BLMR5100K-GFV-◆	GFS5G□FR	
200 W	BLMR6200SK-□FR-◆	BLMR6200SK-GFV-◆	GFS6G□FR	
400 W	BLMR6400SK-□FR-◆	BLMR6400SK-GFV-◆		

■ CS geared motor

Output power	CS geared motor	Driver
	Model	Model
60 W	BLMR260HK-□CS	BLVD-KRD

■ Round shaft type

Output power	Motor	Driver
	Model	Model
60 W	BLMR460HK-A	BLVD-KRD
100 W	BLMR5100K-A-◆	
200 W	BLMR5200K-A-◆	
400 W	BLMR5400K-A-◆	

■ Combination type-parallel shaft gearhead with electromagnetic brake

Output power	Combination type motor			Driver
	Model	Motor model	Gearhead model	Model
100 W	BLMR5100KM-□-◆	BLMR5100KM-GFV-◆	GFV5G□	BLVD-KRD
200 W	BLMR6200SKM-□-◆	BLMR6200SKM-GFV-◆	GFV6G□	
400 W	BLMR6400SKM-□-◆	BLMR6400SKM-GFV-◆		

■ Combination type-hollow shaft flat gearhead with electromagnetic brake

Output power	Combination type motor			Driver
	Model	Motor model	Gearhead model	Model
100 W	BLMR5100KM-□FR-◆	BLMR5100KM-GFV-◆	GFS5G□FR	BLVD-KRD
200 W	BLMR6200SKM-□FR-◆	BLMR6200SKM-GFV-◆	GFS6G□FR	
400 W	BLMR6400SKM-□FR-◆	BLMR6400SKM-GFV-◆		

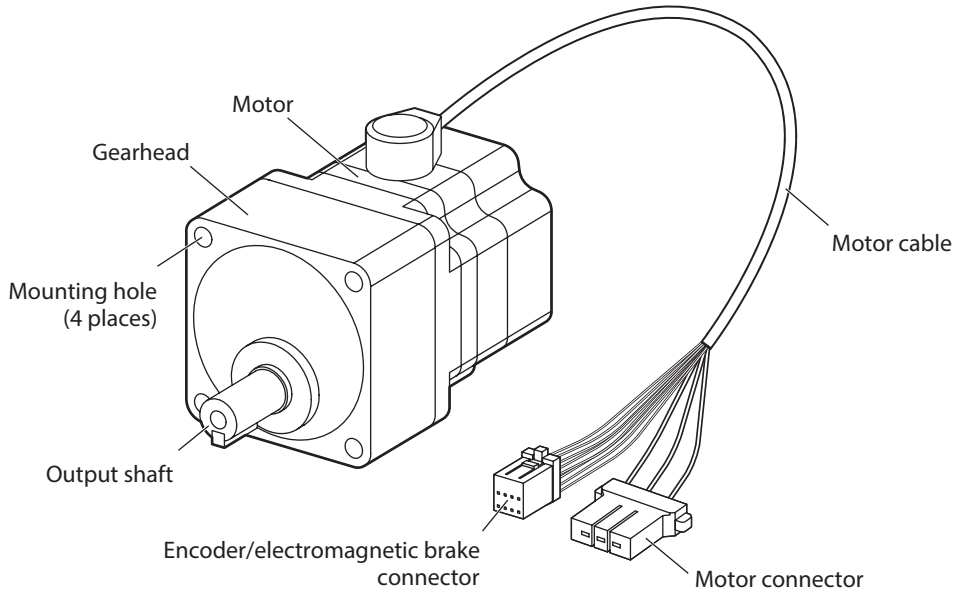
■ Round shaft type with electromagnetic brake

Output power	Motor	Driver
	Model	Model
100 W	BLMR5100KM-A-◆	BLVD-KRD
200 W	BLMR5200KM-A-◆	
400 W	BLMR5400KM-A-◆	

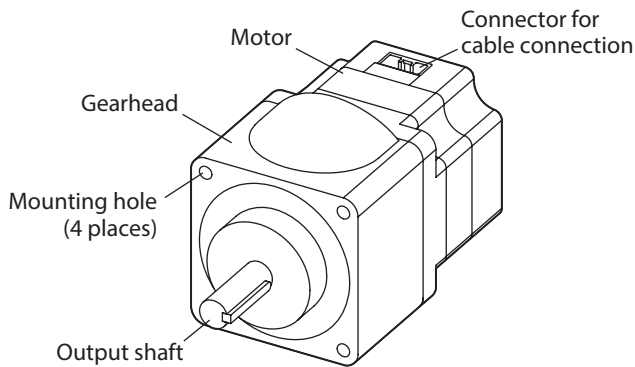
4-5 Names and functions of parts

■ Motor

- Cable type (Example: Combination type-parallel shaft gearhead with electromagnetic brake)

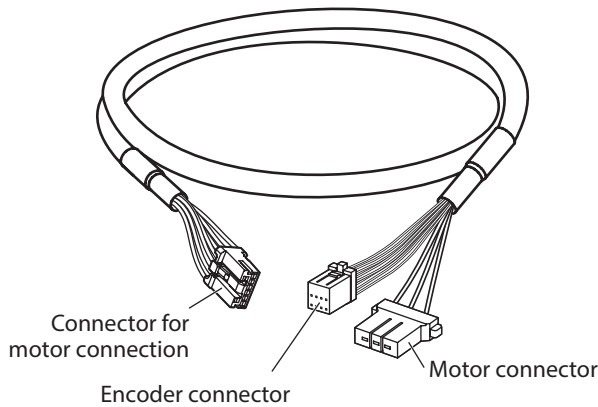


- Connector type (Example: CS geared motor)



Connection cable (sold separately)

The dedicated connection cable (sold separately) is required since a 60 W motor is the connector type. The maximum extension distance is 3 m (9.8 ft.).



- Connection cable

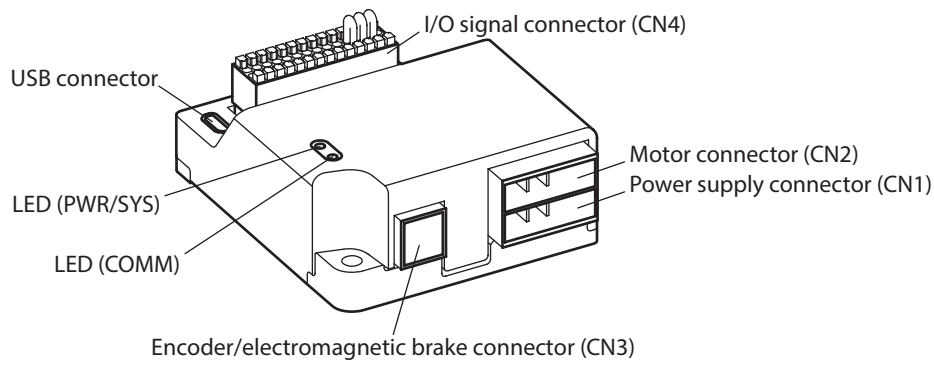
Cable length	Model
0.3 m (0.98 ft.)	CCM003B1ABF
1 m (3.3 ft.)	CCM010B1ABF
2 m (6.6 ft.)	CCM020B1ABF
3 m (9.8 ft.)	CCM030B1ABF


- Flexible connection cable

Cable length	Model
1 m (3.3 ft.)	CCM010B1ABR
2 m (6.6 ft.)	CCM020B1ABR
3 m (9.8 ft.)	CCM030B1ABR

■ Driver

This section explains the name and function for each part of the driver.



Name	Sign	Description
Power supply connector	CN1	Connects the power supply cable.
Motor connector	CN2	Connects the motor connector.
Encoder/electromagnetic brake connector	CN3 ENC/MB	Connects the encoder/electromagnetic brake connector.
I/O signal connector	CN4 I/O	Connects with external equipment.
USB connector		Connects a PC in which the support software has been installed.
LED	PWR/SYS	Refer to "4-6 Indication of LEDs."
	COMM	

4-6 Indication of LEDs

The driver status and the communication status via RS-485 or CAN can be checked using the indication of LEDs.

■ PWR/SYS LED

The status of the driver can be checked.

LED status	Description
No light	The main power is not supplied.
White light	The main power is supplied. (PWR)
Blinking red	An alarm is being generated. The alarm type generated can be checked by counting the number of times the LED blinks. The LED will be lit in white when the alarm is reset.
Blinking white	The power removal function has been activated. The LED will be lit in white when the power removal function and the ETO status is released.
Blinking blue	Information is being generated. The LED will be lit in white when the information is cleared.
Repeating "Green → Red → Simultaneously lit (yellow) → No light"	This is the driver simulation mode.

■ COMM LED

The communication status can be checked. It is unlit in the initial state.

When each communication is started, the COMM LED is lit or blinks depending on the communication status.



If communications of CAN and RS-485 were used simultaneously, CAN communication is prioritized.

● When using via RS-485 communication

LED status	Description
White light or blinking white	The driver communicates with the master station properly via RS-485 communication. (C-DAT)
Red light	An error occurs in communication with the master station via RS-485 communication. The LED will be lit or blink in white when the communication status returns to the normal state. (C-ERR)

● When using via CAN communication

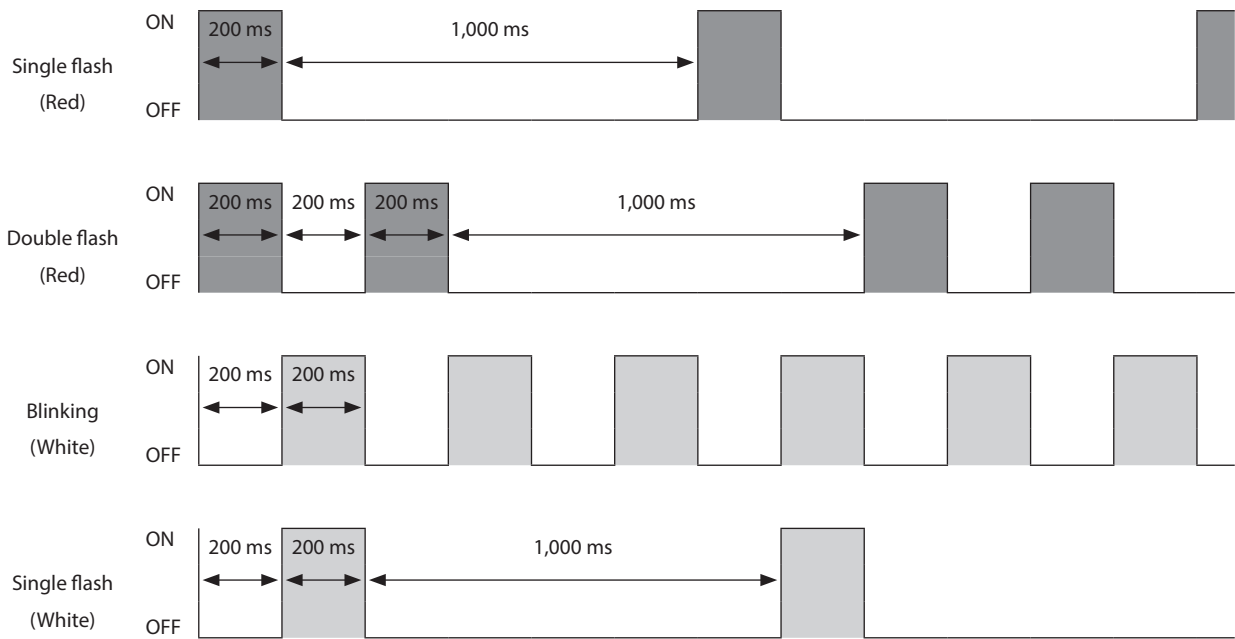
With the COMM LED, the red LED (Error LED) and the white LED (Run LED) are indicated independently for each function.

Red LED (Error LED): Indicates the status of CAN communication and the error in CAN messages.

White LED (Run LED): Indicates the status of CANopen network state machine.

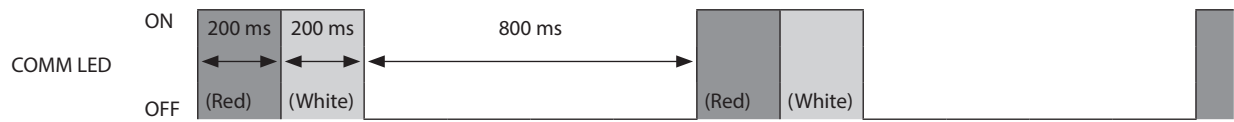
LED status	Description	
Red LED (Error LED)	No light	The driver is in a state of normal operation.
	Single flash	The error counter of the CAN controller reached the warning level.
	Double flash	Guarding event or Heartbeat event has occurred.
	Lighting	The driver is in a state of Bus off.
White LED (Run LED)	Blinking	The driver is in a state of PRE-OPERATIONAL.
	Single flash	The driver is in a state of STOPPED.
	Lighting	The driver is in a state of OPERATIONAL.

Blinking state of LED



An example when the red LED (Error LED) and the white LED (Run LED) blink simultaneously is shown below.

Example: When the red LED is "Single flash" and the white LED is "Single flash"



The red LED is prioritized in a state where the red LED and the white LED blink simultaneously.

5 Installation

5-1 Installation location

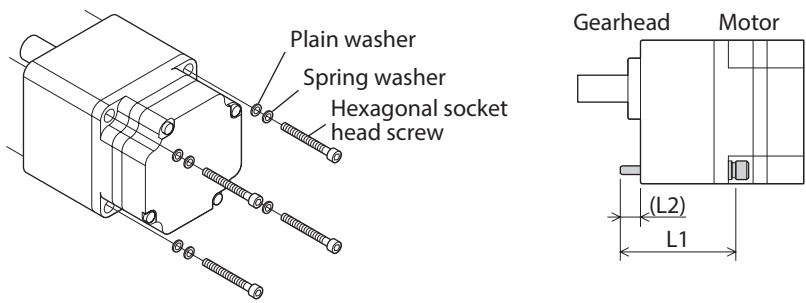
The motor and driver are designed and manufactured to be incorporated in equipment. Install them in a well-ventilated location that provides easy access for inspection. The location must also satisfy the following conditions:

- Inside an enclosure that is installed indoors (provide vent holes)
- Operating ambient temperature: 0 to +40 °C [+32 to +104 °F] (non-freezing)
- Operating ambient humidity: 85% or less (non-condensing)
- Area free of explosive atmosphere, toxic gas (such as sulfuric gas), or liquid
- Area not exposed to direct sun
- Area free of excessive amount of dust, iron particles or the like
- Area not subject to splashing water (rain, water droplets), oil (oil droplets) or other liquids
- Area free of excessive salt
- Area not subject to continuous vibration or excessive shocks
- Area free of excessive electromagnetic noise (from welders, power machinery, etc.)
- Area free of radioactive materials, magnetic fields or vacuum
- Up to 1000 m (3300 ft.) above sea level

5-2 How to Install the motor

■ Combination type-parallel shaft gearhead

Secure the motor and gearhead through four mounting holes using the included mounting screw set. Install so that there is no gap between the product and the mounting plate.



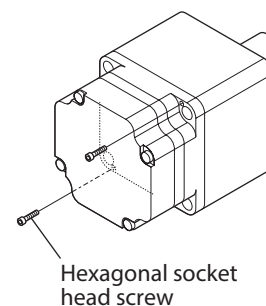
Model	Gear ratio	Hexagonal socket head screw (Material: Stainless steel)		L2 [mm (in.)]	Tightening torque [N·m (lb-in)]
		Screw size	L1 [mm (in.)]		
BLMR460	5 to 20	M6	60 (2.36)	8 (0.31)	5.0 (44)
	30 to 100		65 (2.56)		
BLMR5100	10 to 20	M8	70 (2.76)	11.5 (0.45)	12.0 (106)
	30 to 100		85 (3.35)	13.5 (0.53)	
BLMR6200	10 to 20		85 (3.35)	11 (0.43)	
	30, 50		100 (3.94)	14 (0.55)	
	100		110 (4.33)	10 (0.39)	
BLMR6400	10 to 20		85 (3.35)	11 (0.43)	
	30, 50	100 (3.94)	14 (0.55)		

● Removing and assembling the gearhead

See the following steps to replace the gearhead or to change the cable outlet position.

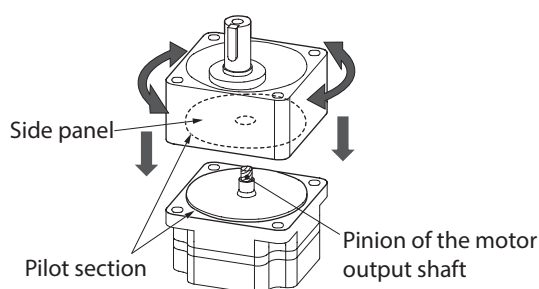
1. Removing the gearhead from the motor

Remove the hexagonal socket head screws (2 places) assembling the motor and gearhead, and detach the gearhead from the motor.



2. Assembling the gearhead to the motor

- 1) Keep the pilot sections of the motor and gearhead in parallel, and assemble the gearhead with the motor while slowly rotating it clockwise/counterclockwise. At this time, note so that the pinion of the motor output shaft does not hit the side panel or gears of the gearhead strongly.



Assemble the gearhead to the motor in a condition where the motor output shaft is set upward.

- 2) Check that there is no gap between the motor and the gearhead, and tighten them with hexagonal socket head screws (2 places).

Model	Screw size	Tightening torque [N·m (lb-in)]
BLMR460	M2.6	0.4 (3.5)
BLMR5100 BLMR6200 BLMR6400	M3	0.6 (5.3)

Note

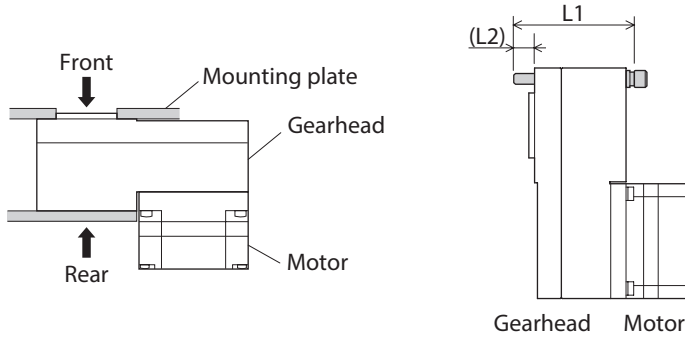
- Do not forcibly assemble the motor and gearhead. Also, prevent metal objects or foreign substances from entering in the gearhead. The pinion of the motor output shaft or gear may be damaged, resulting in noise or shorter service life.
- Do not allow dust to attach to the pilot sections of the motor and gearhead. Also, assemble the motor and gearhead carefully by not pinching the O-ring at the motor pilot section. If the O-ring is crushed or severed, grease may leak from the gearhead.

■ Combination type-hollow shaft flat gearhead

A combination type-hollow shaft flat gearhead can be installed by using either its front or rear side as the mounting surface.

Using the included mounting screw set, secure through the four mounting holes so that there is no gap between the product and the mounting plate. Nuts are not included with the 200 W and 400 W types. Provide nuts separately or drill tapped holes in the mounting plate.

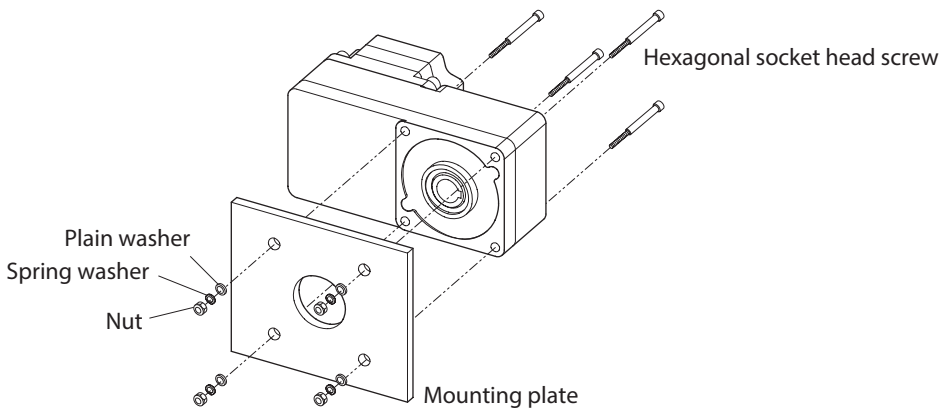
Attach the included safety cover to the hollow output shaft on the end opposite from the one where the load shaft is installed.



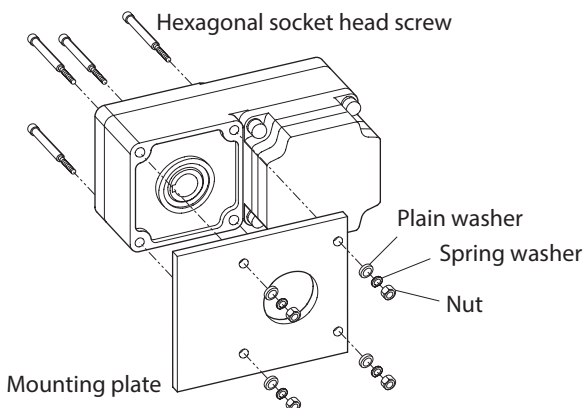
Model	Hexagonal socket head screw (Material: Carbon steel)		L2 [mm (in.)]	Tightening torque [N·m (lb-in)]
	Screw size	L1 [mm (in.)]		
BLMR460	M6	70 (2.76)	14 (0.55)	5.0 (44)
BLMR5100	M8	90 (3.54)	21 (0.83)	15.5 (137)
BLMR6200		100 (3.94)	13 (0.51)	
BLMR6400				

● Using the front side as the mounting surface

When the gearhead is installed using its front side as the mounting surface, use the mounting boss of the output shaft to align the center axes of the hollow shaft and the load shaft.

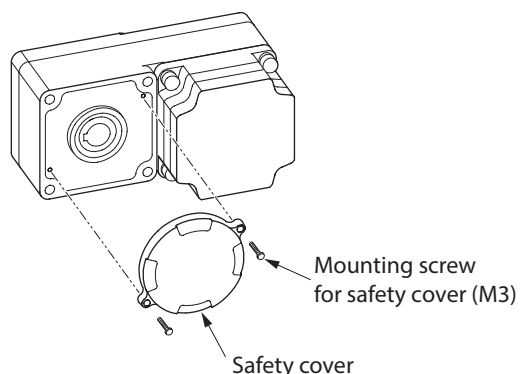


● Using the rear side as the mounting surface



● Installing the safety cover

After installing a load, attach the included safety cover.
The safety cover can be attached to either side.
Tightening torque: 0.45 N·m (3.9 lb-in)

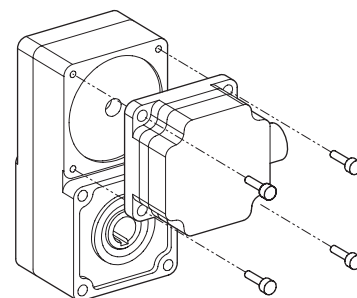


● Removing and assembling the gearhead

See the following steps to replace the gearhead or to change the cable outlet position.
However, when the motor which cable outlet direction is the output shaft side (the end of the motor model name is **F**) is used, it cannot be installed in the direction where the motor cable faces the hollow output shaft side.

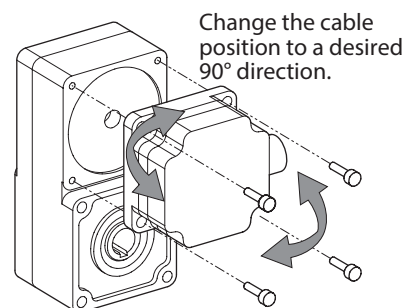
1. Removing the gearhead from the motor

Remove the hexagonal socket head screws (4 places) assembling the motor and gearhead, and detach the gearhead from the motor.



2. Assembling the gearhead to the motor

- 1) Keep the pilot sections of the motor and gearhead in parallel, and assemble the gearhead with the motor while slowly rotating it clockwise/counterclockwise.
At this time, note so that the pinion of the motor output shaft does not hit the side panel or gears of the gearhead strongly.



- 2) Check that there is no gap between the motor and the gearhead, and tighten them with hexagonal socket head screws (4 places).

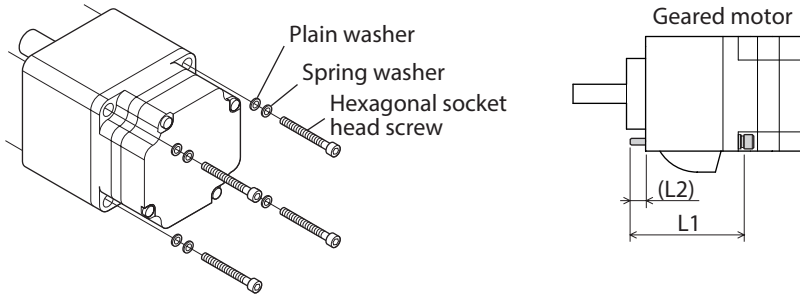
Model	Screw size	Tightening torque [N·m (lb-in)]
BLMR460	M6	5.0 (44)
BLMR5100 BLMR6200 BLMR6400	M8	15.5 (137)

Note

- Do not forcibly assemble the motor and gearhead. Also, prevent metal objects or foreign substances from entering in the gearhead. The pinion of the motor output shaft or gear may be damaged, resulting in noise or shorter service life.
- Do not allow dust to attach to the pilot sections of the motor and gearhead. Also, assemble the motor and gearhead carefully by not pinching the O-ring at the motor pilot section. If the O-ring is crushed or severed, grease may leak from the gearhead.

■ CS geared motor

Secure the motor and gearhead through four mounting holes using the included mounting screw set. Install so that there is no gap between the product and the mounting plate.



Model	Gear ratio	Hexagonal socket head screw (Material: Stainless steel)		L2 [mm (in.)]	Tightening torque [N·m (lb-in)]
		Screw size	L1 [mm (in.)]		
BLMR260	5 to 20	M4	60 (2.36)	10 (0.39)	2.0 (17.7)

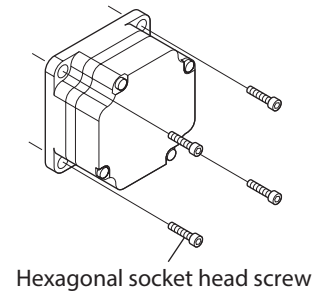
Note The **CS** geared motor is a product that integrates a motor with a gearhead. Do not disassemble the gearhead from the motor.

■ Round shaft type

Secure the motor using the hexagonal socket head screws (not supplied) through the four mounting holes. Install so that there is no gap between the product and the mounting plate.

Applicable mounting screws

Model	Screw size	Tightening torque [N·m (lb-in)]*
BLM260	M4	2.0 (17.7)
BLMR5100 BLMR5200 BLMR5400	M8	15.5 (137) [12.0 (106)]



* The value in the brackets [] indicates when the material is stainless steel.

Install the motor to a mounting plate of the following size or larger, so that the motor case temperature will not exceed 90 °C (194 °F).

The temperature inside the motor can be monitored using the support software or the host controller.

Model	Size of heat sink [mm (in.)]	Thickness [mm (in.)]	Material
BLM260	135×135 (5.31×5.31)	5 (0.20)	Aluminum alloy
BLMR5100	165 × 165 (6.50 × 6.50)		
BLMR5200	200 × 200 (7.87 × 7.87)		
BLMR5400	250 × 250 (9.84 × 9.84)	6 (0.24)	

Note Do not install the motor to the mounting hole diagonally or assemble the motor forcibly. Doing so may cause damage to the flange pilot section, thereby resulting in damage to the motor.

5-3 Installing a load

■ Combination type-parallel shaft gearhead, CS geared motor, round shaft type

When installing a load on the motor or the gearhead, pay attention to the following points.

- Align the center axis of the motor output shaft or the gearhead output shaft with that of the load.
- A key slot is provided on the output shaft for the combination type-parallel shaft gearhead and the CS geared motor. Form a key slot on the load side and secure the load using the parallel key.

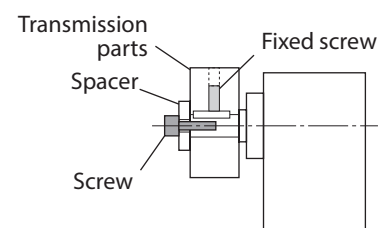
Note

- When coupling the motor or the gearhead with a load, pay attention to centering, belt tension, parallelism of pulleys, etc. Also, firmly secure the tightening screws of the coupling or pulleys.
- When installing a load, do not damage the motor output shaft (gearhead output shaft) or bearings. Installing the load forcibly with a hammer or the like may break the bearings. Do not apply any excessive force to the output shaft.
- Do not modify or machine the output shaft of the motor or gearhead. This may damage the bearing, resulting in damage to the motor or gearhead.

When using the output shaft end tapped hole of a gearhead

Use a tapped hole provided at the end of the output shaft as an auxiliary means for preventing the transfer mechanism from disengaging.

Gearhead model	Screw size	Effective depth of screw
GFV4G	M5	10 mm (0.39 in.)
GFV5G GFV6G	M6	12 mm (0.47 in.)



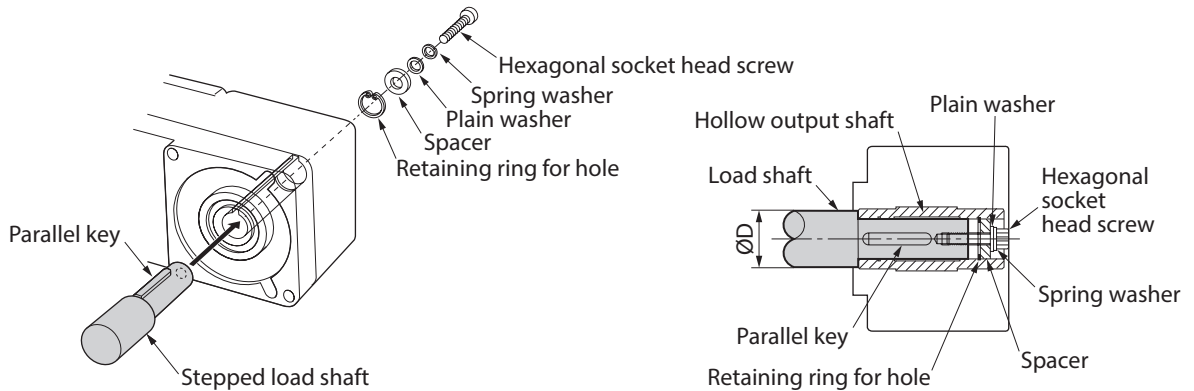
■ Combination type-hollow shaft flat gearhead

If a large impact occurs at instantaneous stop or a large radial load is applied, use a stepped load shaft.

- Note**
- Apply grease (molybdenum disulfide grease, etc.) on the surface of the load shaft and inner walls of the hollow output shaft to prevent seizure.
 - When installing a load, do not damage the output shaft or the bearings. Installing the load forcibly with a hammer or the like may break the bearings. Do not apply any excessive force to the output shaft.
 - Do not modify or machine the output shaft.
This may damage the bearing, resulting in damage to the motor and gearhead.

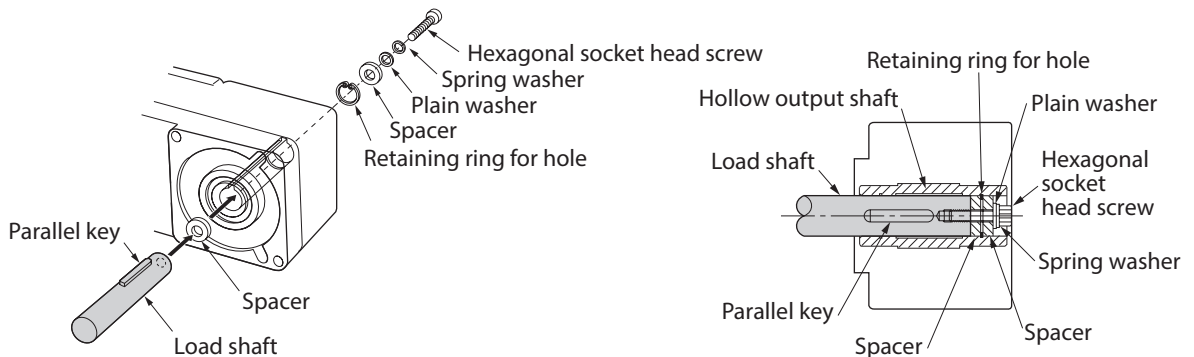
● Stepped load shaft

Secure the retaining ring for hole to the load shaft by tightening the hexagonal socket head screw over a spacer, plain washer and spring washer.



● Non-stepped load shaft

Install a spacer on the load shaft side and secure the retaining ring for hole to the load shaft by tightening the hexagonal socket head screw over a spacer, flat washer and spring washer.



Recommended load shaft installation dimensions [Unit: mm (in.)]

Model	Inner diameter of hollow shaft (H8)	Recommended diameter of load shaft (h7)	Nominal diameter of retaining ring	Applicable screw	Spacer thickness	Outer diameter of stepped shaft (ØD)
BLMR460	$\varnothing 15^{+0.027}_0$ ($\varnothing 0.5906^{+0.0011}$)	$\varnothing 15^{0}_{-0.018}$ ($\varnothing 0.5906^{-0.0007}$)	$\varnothing 15$ ($\varnothing 0.59$)	M5	4 (0.16)	25 (0.98)
BLMR5100	$\varnothing 20^{+0.033}_0$ ($\varnothing 0.7874^{+0.0013}$)	$\varnothing 20^{0}_{-0.021}$ ($\varnothing 0.7874^{-0.0008}$)	$\varnothing 20$ ($\varnothing 0.79$)	M6	5 (0.20)	30 (1.18)
BLMR6200 BLMR6400	$\varnothing 25^{+0.033}_0$ ($\varnothing 0.9843^{+0.0013}$)	$\varnothing 25^{0}_{-0.021}$ ($\varnothing 0.9843^{-0.0008}$)	$\varnothing 25$ ($\varnothing 0.98$)	M8	6 (0.24) [3 (0.12)] *	40 (1.57)

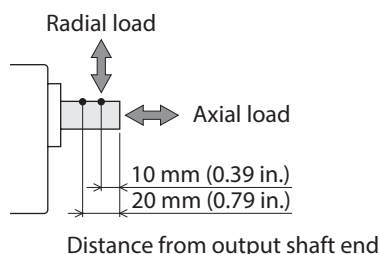
* The value in the brackets [] is that when using the rear side as the mounting surface.

5-4 Permissible radial load and permissible axial load

Make sure a radial load and axial load applied to the output shaft will not exceed the permissible values shown in the table below.

Note Failure due to fatigue may occur when the bearings and output shaft are subject to repeated loading by a radial or axial load that is in excess of the permissible limit.

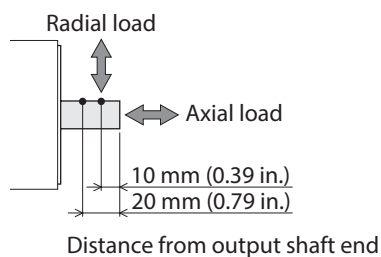
■ Combination type-parallel shaft gearhead, CS geared motor



Model	Gear ratio	Permissible radial load [N (lb.)]*		Permissible axial load [N (lb.)]
		Distance from output shaft end of the gearhead		
		10 mm (0.39 in.)	20 mm (0.79 in.)	
BLMR260	5	150 (33)	190 (42)	70 (15.7)
	10 to 20	200 (45)	260 (58)	
BLMR460	5	200 (45) [180 (40)]	250 (56) [220 (49)]	100 (22)
	10 to 20	300 (67) [270 (60)]	350 (78) [330 (74)]	
	30 to 100	450 (101) [420 (94)]	550 (123) [500 (112)]	
BLMR5100	10 to 20	400 (90) [370 (83)]	500 (112) [430 (96)]	150 (33)
	30 to 100	500 (112) [450 (101)]	650 (146) [550 (123)]	
BLMR6200	10 to 20	550 (123) [500 (112)]	800 (180) [700 (157)]	200 (45)
	30, 50	1000 (220) [900 (200)]	1250 (280) [1100 (240)]	
	100	1400 (310) [1200 (270)]	1700 (380) [1400 (310)]	
BLMR6400	10 to 20	550 (123) [500 (112)]	800 (180) [700 (157)]	200 (45)
	30, 50	1000 (220) [900 (200)]	1250 (280) [1100 (240)]	

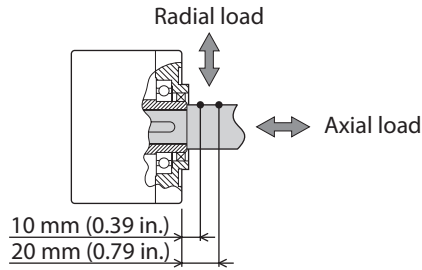
* The values assume a rated speed of 3000 r/min or below. The values in brackets [] are based on a rated speed of 4000 r/min.

■ Round shaft type



Model	Permissible radial load [N (lb.)]		Permissible axial load [N (lb.)]
	Distance from output shaft end of the motor		
	10 mm (0.39 in.)	20 mm (0.79 in.)	
BLMR260	70 (15.7)	100 (22)	15 (3.3)
BLMR5100 BLMR5200 BLMR5400	150 (33)	170 (38)	25 (5.6)

■ Combination type-hollow shaft flat gearhead



Distance from mounting surface

Model	Gear ratio	Permissible radial load [N (lb.)]* Distance from gearhead mounting surface		Permissible axial load [N (lb.)]
		10 mm (0.39 in.)	20 mm (0.79 in.)	
BLM460	5, 10	800 (180) [730 (164)]	660 (148) [600 (135)]	400 (90)
	15 to 200	1200 (270) [1100 (240)]	1000 (220) [910 (200)]	
BLMR5100	10	900 (200) [820 (184)]	770 (173) [700 (157)]	500 (112)
	15, 20	1300 (290) [1200 (270)]	1110 (240) [1020 (220)]	
	30 to 200	1500 (330) [1400 (310)]	1280 (280) [1200 (270)]	
BLMR6200 BLMR6400	10	1230 (270) [1130 (250)]	1070 (240) [990 (200)]	800 (180)
	15, 20	1680 (370) [1550 (340)]	1470 (330) [1360 (300)]	
	30 to 100	2040 (450) [1900 (420)]	1780 (400) [1660 (370)]	

* The values assume a rated speed of 3000 r/min or below. The values in brackets [] are based on a rated speed of 4000 r/min.

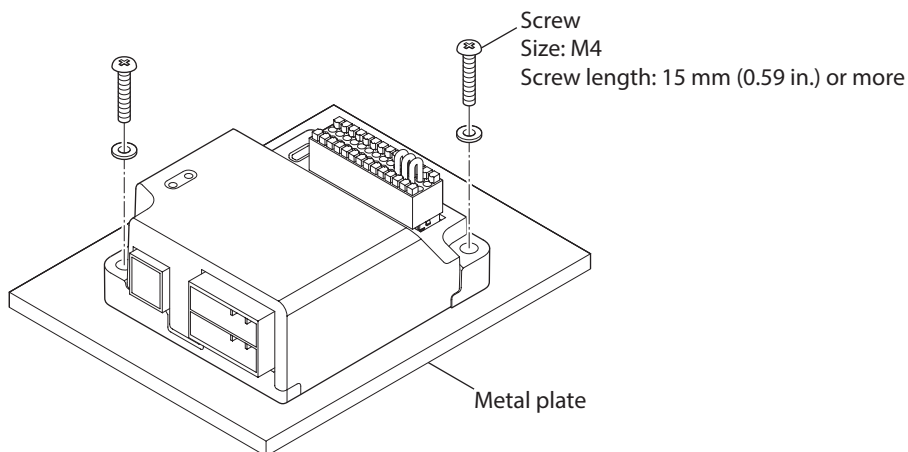
5-5 How to install the driver

The driver can be installed in any direction.

Install the driver to a flat metal plate* offering high heat conductivity.

When installing the driver, use the mounting holes and secure to the metal plate with two screws (M4: not included).

* Material: Aluminum, size: 200×200×2 mm (7.87×7.87×0.08 in.) or equivalent



Note

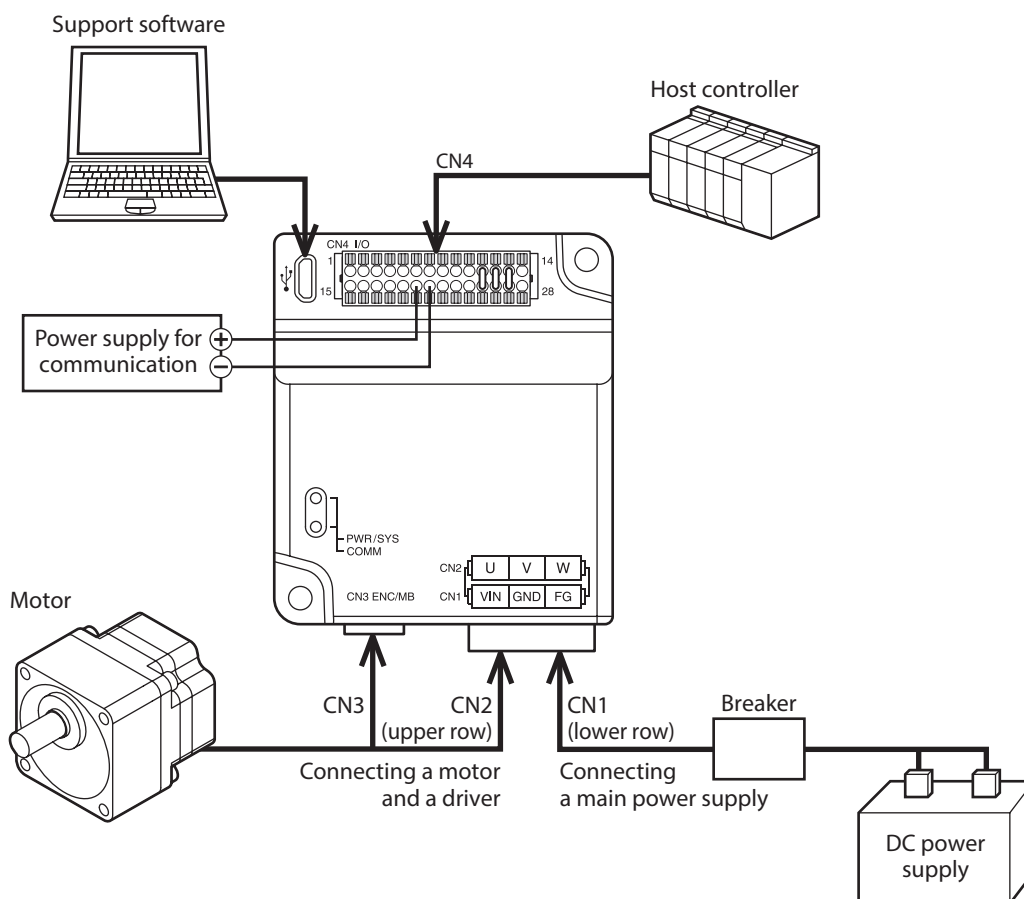
- Install the driver in an enclosure.
- Do not install any equipment that generates a large amount of heat or noise near the driver.
- Do not install the driver underneath a host controller or other equipment vulnerable to heat.
- If the ambient temperature of the driver exceeds the upper limit of the operating ambient temperature, reconsider the ventilation condition or forcibly cool the area around the driver using a fan in order to keep within the operating ambient temperature.

6 Connection

This chapter explains how to connect the driver with the motor, power supplies, and I/O signals.

6-1 System configuration

WARNING For protection against electric shock, do not turn on the power supply until the wiring is completed.



- Note**
- When connecting, pay attention to the polarity of the power supply. Reverse-polarity connection may cause damage to the driver.
 - Connect the connectors securely. Insecure connector connections may cause malfunction or damage to the product.
 - Keep 3.5 m (11.5 ft.)* or less for the wiring distance between a motor and a driver. Extending the wiring distance to 3.5 m (11.5 ft.)* or more may result in heat generation from the driver or increase of the electrical noise emitted from the products including the motor and the cable.
- * 3 m (9.8 ft.) for the connector type

- memo**
- Before connecting or disconnecting a connector, turn off the main power supply and the power supply for communication, and check the PWR/SYS LED has been turned off.
 - When wiring the I/O signal cable, provide a clearance at least 100 mm (3.94 in.) from inductive loads such as electromagnetic relay, and do not parallel to the power supply cable and connection cable.
 - Do not wire the power supply cable in the same cable duct with other power line or motor cable.

6-2 Connecting the main power supply (CN1)

The power supply current capacity varies depending on the motor connected.
 Insert the connector of the power supply cable into the main power supply connector (CN1) on the driver.
 The power supply cable **LC03D06A** (sold separately) is provided.

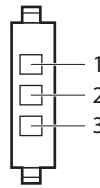
Motor	Input power supply voltage	Power supply current capacity
60 W	24 VDC	5.5 A or more
	48 VDC	3 A or more
100 W	24 VDC	10 A or more
	48 VDC	5 A or more
200 W	24 VDC	18 A or more
	48 VDC	9 A or more
400 W	48 VDC	16 A or more

Note

- When connecting, pay attention to the polarity of the power supply. Connection with incorrect polarity may cause damage to the driver.
- The input current varies depending on the main power supply voltage or the motor output power. Select a wire diameter suitable to the input current.
- To connect the power supply, use as thick a cable as possible and wire over the shortest possible distance. If a thin cable is used or the wiring distance is long, the voltage drop is increased.
- Do not wire the power supply cable in the same cable duct with other power line or motor cable.

Pin assignment

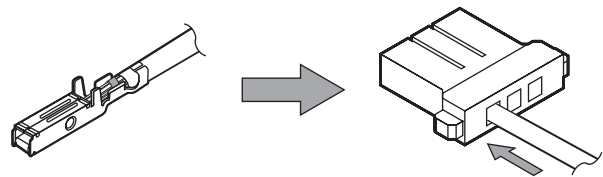
Pin No.	Name	Description
1	VIN	Main power supply input (24 to 48 VDC)
2	GND	Ground for main power supply
3	FG	Frame ground



Connector: F32FSS-03V-KX (J.S.T. Mfg. Co., Ltd.)
 Contact: LF3F-41GF-P2.0 (J.S.T. Mfg. Co., Ltd.)
 Designated crimp tool: YRF-880 (J.S.T. Mfg. Co., Ltd.)

How to wire the connector

- Applicable lead wire: AWG18 to AWG16 (0.75 to 1.25 mm²)
1. Strip the insulation of the lead wires.
 2. Crimp the lead wires and contacts using the designated crimp tool.
 3. Insert the lead wires that have crimped contacts into the connector for CN1.



6-3 Connecting the motor and the driver (CN2, CN3)

Insert the connectors of the motor cable or connection cable into the motor connector (CN2) and the encoder/ electromagnetic brake connector (CN3) on the driver.

The dedicated connection cable (sold separately) is required since a 60 W motor is the connector type.

Use the dedicated connection cable (sold separately) when extending the wiring distance between the motor and the driver.

The maximum extension distance including the cable length of the motor itself should be 3.5 m [11.5 ft.] (3 m [9.8 ft.] for the connector type).

Note

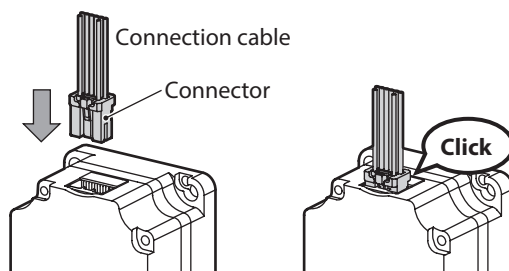
- Connect the connectors securely. Insecure connector connections may cause malfunction or damage to the product.
- Be sure to insert and pull out the connector while holding the connector part. Do not apply any force in a direction other than the direction of inserting and pulling out the connector. Applying improper force may cause damage to the product.
- Do not lift up the product by holding the motor cable or connection cable. Doing so may result in damage to the product.

6-4 Connecting the motor and the connection cable (Connector Type)

The dedicated connection cable (sold separately) is required since a 60 W motor is the connector type.

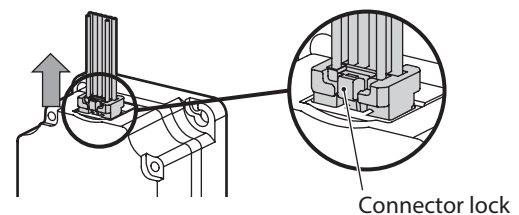
● Connector

Hold the connector main body of the connection cable, and insert the connector until making a clicking noise.



● Removing

Hold the connector main body and pull out the connector while pressing the connector lock. Do not apply stress on the connection part of the lead wires and connector.



Note

- Connect the connectors securely. Insecure connector connections may cause malfunction or damage to the product.
- Be sure to insert and pull out the connector while holding the connector part. Do not apply any force in a direction other than the direction of inserting and pulling out the connector. Applying improper force may cause damage to the product.
- Do not lift up the product by holding the connection cable. Doing so may result in damage to the product.
- The number of times to connect/remove the connection cable to/from the motor should be 30 times or less as a guide. Increasing the number of times to connect/remove may cause malfunction or damage to the product.

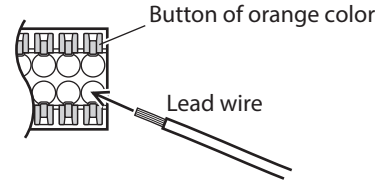
6-5 Connecting the I/O signals (CN4)

Connect the I/O signal cable, power supply cable for communication, RS-485 communication cable, or CAN communication cable to CN4 according to your method for using.

How to wire the CN4 connector

- Applicable lead wire: AWG26 to 20 (0.14 to 0.5 mm²)
- Lead wire strip length: 7 mm (0.28 in.)

1. Strip the insulation of the lead wire.
2. Insert the lead wire while pushing the button of the orange color with a screwdriver.
3. After having inserted, release the button to secure the lead wire.



Connector: DFMC0,5/14-ST-2,54
(PHOENIX CONTACT GmbH & Co. KG)



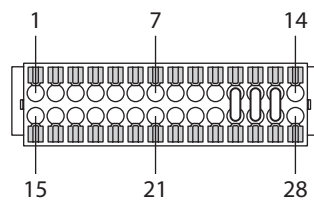
Be certain the I/O signal cable is as short as possible.

Pin assignments list



- All input signals of the driver are photocoupler inputs.
- The status of signals is shown as follows.
I/O signals for normally open: "ON: Current-carrying" "OFF: Not current-carrying"
I/O signals for normally closed: "ON: Not current-carrying" "OFF: Current-carrying"

Pin No.	Signal name	Description*
1	OUT0+	Control output 0 (COMM-PWR)
2	OUT0-	
3	OUT1+	Control output 1 (ALM-B)
4	OUT1-	
5	CAN_L	CAN Low
6	CAN_H	CAN High
7	CAN_GND	Ground for CAN communication
8	485GND	Ground for RS-485 communication
9	TR+	Positive side of signal for RS-485 communication
10	TR-	Negative side of signal for RS-485 communication
11	HWT01+	Positive side of power removal input 1
12	HWT01-	Negative side of power removal input 1
13	0V	0 V for internal connection
14	EDM-	Negative side of power removal failure monitoring output



Pin No.	Signal name	Description*
15	IN-COM	Common for IN0 to IN3 inputs
16	IN0	Control input 0 (ID-SELO)
17	IN1	Control input 1 (ID-SEL1)
18	IN2	Control input 2 (STOP)
19	IN3	Control input 3 (FREE)
20	NET-VIN	Power supply for communication
21	NET-GND	Ground for power supply for communication
22	485GND	Ground for RS-485 communication
23	TR+	Positive side of signal for RS-485 communication
24	TR-	Negative side of signal for RS-485 communication
25	+V	Positive side for internal connection
26	HWT02+	Positive side of power removal input 2
27	HWT02-	Negative side of power removal input 2
28	EDM+	Positive side of power removal failure monitoring output

* Values in parentheses () are initial values.

* Values in parentheses () are initial values.

Note

- "No.7: CAN_GND," "No.8: 485GND," "No.21: NET-GND," and "No.22: 485GND" are connected to a signal ground (SG). The SG is insulated from "No.13: 0 V" and "Ground for main power supply."
- If the power removal function is not used, connect a jumper wire (included) between the terminals as shown in the figure.
- When connecting, pay attention to the polarity of the power supply. Connection with incorrect polarity may cause damage to the driver.

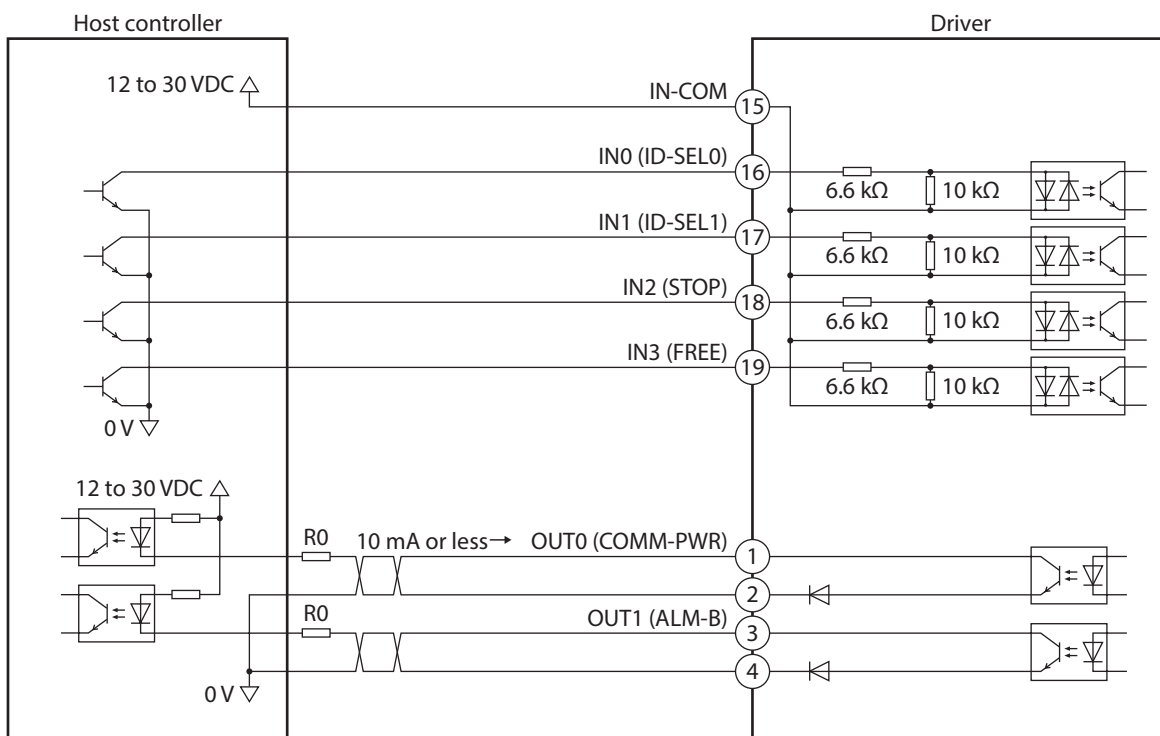
■ Power supply current capacity of power supply for communication

Power supply current capacity	Input power supply voltage
0.2 A or more	24 to 48 VDC

Note

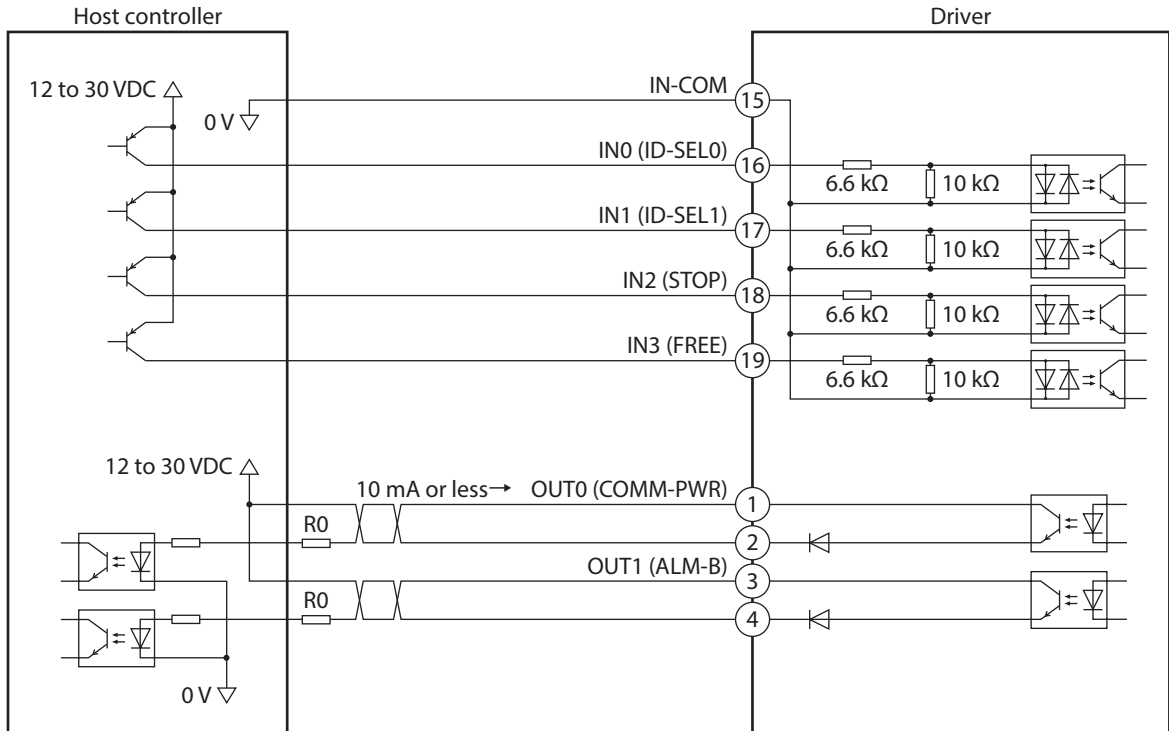
Be sure to connect a power supply for communication when using RS-485 communication or CAN communication.

■ Connection example with a current sink output circuit



* Values in parentheses () are initial values.

■ Connection example with a current source output circuit

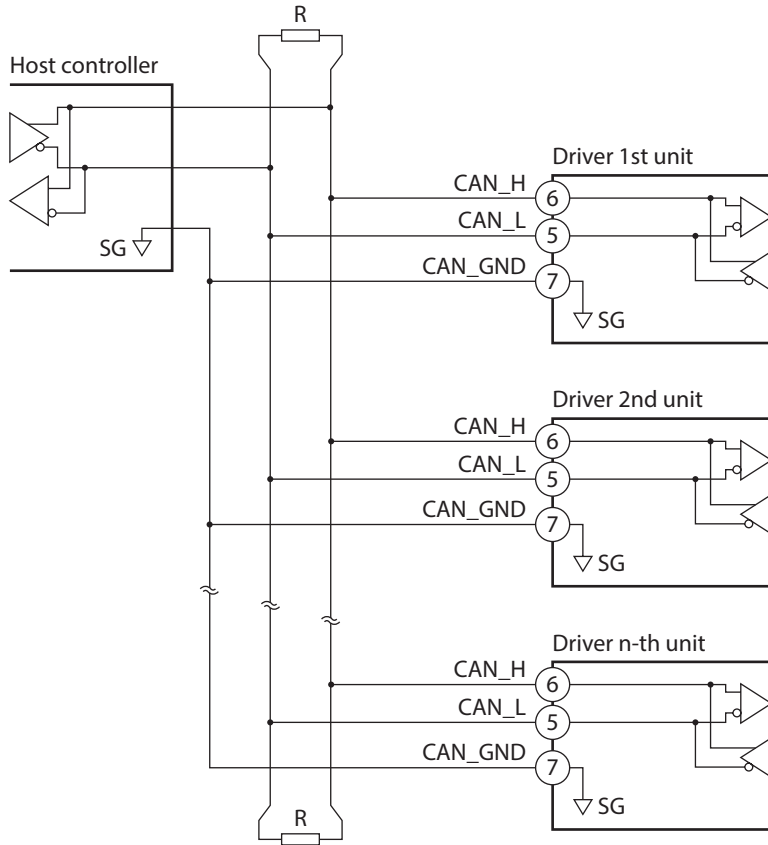


* Values in parentheses () are initial values.

Note

- Use input signals at 12 to 30 VDC.
- Use output signals at 12 to 30 VDC, 10 mA or less. If the current exceeds 10 mA, connect an external resistor R0 so that the current becomes 10 mA or less.
- The saturated voltage of output signals is 2.0 VDC maximum.

■ Connection example with a host controller (CAN communication)



R: Termination resistor

Connect the termination resistors (120 Ω, 1/4 W or more) on both ends of a bus. Termination resistors are not included with the product.

Note

- Be sure to connect a power supply for communication when using the product via CAN communication.
- Use the CAN-Bus cable for the communication cable.
- The SG is insulated from the ground for main power supply.

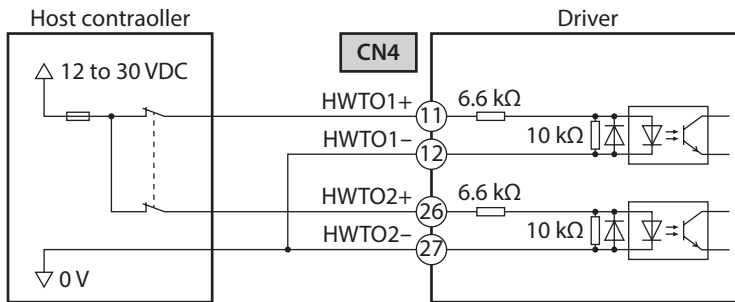
memo

Refer to p.50 for the communication specifications.

■ Connection example with a host controller (power removal function)

● Input signal

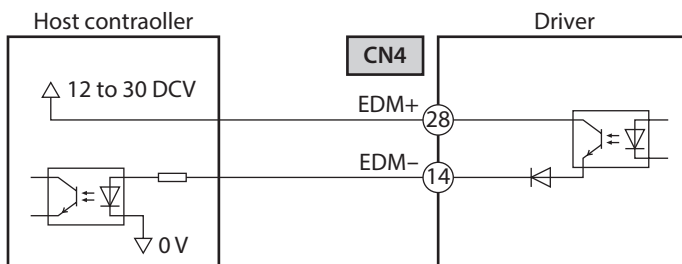
Signal name	Specifications
HWTO1+ input HWTO1- input	12 to 30 VDC
HWTO2+ input HWTO2- input	



Note Provide individual contacts for operating the HWTO1 input and the HWTO2 input.

● Output signal

Signal name	Specifications
EDM+ output	12 to 30 VDC, 10 mA or less
EDM- output	Output saturated voltage 2.0 V maximum



Note The EDM output is not an output signal to ensure the safety. Do not use the EDM output for any other purpose except for monitoring a failure.

6-6 Grounding the motor

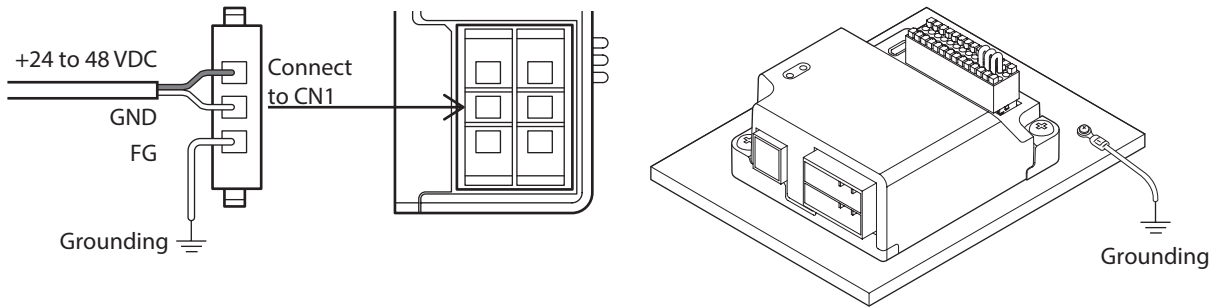
- Install the motor to a grounded metal plate.
- Wires used to ground the motor and the driver must be as thick and short as possible so that no potential difference is generated between the grounding points.
- Choose a large, thick and uniformly conductive surface for the grounding point.



Static electricity may cause damage to the products if they are not grounded.

6-7 Grounding the driver

Ground the FG terminal of the main power supply connector. Install the driver to a metal surface that has grounded. Do not share the grounding wire with a welder or any other power equipment.



Static electricity may cause damage to the products if they are not grounded.

6-8 Connecting the USB cable

Connect the USB cable to the USB connector when using the support software.

Specifications of USB cable

Specification	USB2.0 (full speed)
Cable	Length: 3 m (9.8 ft.) or less Shape: A to micro B



- Connect the driver and PC directly with the USB cable without using a hub or an extension cable.
- In large electrically noisy environments, use the USB cable with a ferrite core or install a ferrite core to the USB cable.
- The driver's USB connector is not electrically insulated. When grounding the positive terminal of the power supply, do not connect any equipment (PC, etc.) whose negative terminal is grounded. Doing so may cause the driver and these equipment to short, damaging both.

6-9 Noise elimination measures

There are two types of electrical noises: One is a noise to invade into the driver from the outside and cause the driver malfunction, and the other is a noise to emit from the driver and cause peripheral equipment malfunction.

For the noise that is invaded from the outside, take measures to prevent the driver malfunction. It is needed to take adequate measures because signal lines are very likely to be affected by the noise.

For the noise that is emitted from the driver, take measures to suppress it.

■ Measures against electrical noise

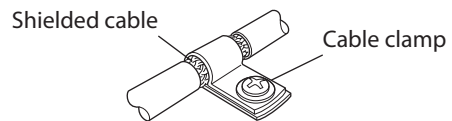
There are the following three methods mainly to take measures against the electrical noise.

● Noise suppression

- When relays or electromagnetic switches are used, use noise filters or CR circuits to suppress surge generated by them.
- Use a connection cable (sold separately) when extending the wiring distance between the motor and the driver. This is effective in suppressing the electrical noise emitted from the motor.
- Cover the driver by a metal plate such as aluminum. This is effective in shielding the electrical noise emitted from the driver.

● Prevention of noise propagation

- Place the power lines such as the motor and power supply cables, keeping a distance of 100 mm (3.94 in.) or more from the signal lines such as I/O signal cable and RS-485 communication cable, and also do not bundle them or wire them in parallel. If a power cable and a signal cable have to cross, cross them at a right angle.
- Use a cable of AWG 26 (0.14 mm²) or thicker for the I/O signal cable.
- Use a cable of AWG 26 (0.14 mm²) or thicker for the RS-485 communication cable.
- Use the CAN-Bus cable for the CAN communication cable.
- For more effective elimination of noise, use shielded cables for a power supply cable and a signal cable or install ferrite cores if non-shielded cables are used.
- Keep cables as short as possible without coiling and bundling extra lengths.
- To ground a shielded cable, use a metal cable clamp that can maintain contact with the entire circumference of the shielded cable, and ground as near the product as possible.



- Grounding multiple points will increase effect to block electrical noise because impedance on the grounding points is decreased. However, ground them so that a potential difference does not occur among the grounding points.

● Suppression of effect by noise propagation

- Loop the noise propagated cable around a ferrite core. Doing so will prevent the propagated noise invades into the driver or emits from the driver. The frequency band in which an effect by the ferrite core can be seen is generally 1 MHz or more. Check the frequency characteristics of the ferrite core used. When increasing the effect of noise attenuation by the ferrite core, loop the cable a lot.

6-10 Conformity to the EMC Directive

Effective measures must be taken against the EMI that the motor and driver may give to adjacent control-system equipment, as well as the EMS of the motor and driver itself, in order to prevent a serious functional impediment in the machinery. The use of the following installation and wiring methods will enable the motor and driver to be compliant with the EMC directive.

Oriental Motor conducts EMC testing on its motors and drivers in accordance with "Example of installation and wiring."

The user is responsible for ensuring the machine's compliance with the EMC Directive, based on the installation and wiring explained below.



CAUTION

This equipment is not intended for use in residential environments nor for use on a low-voltage public network supplied in residential premises, and it may not provide adequate protection to radio reception interference in such environments.

■ About power supply

The driver is a product of DC power input. Use a DC power supply compliant with the EMC Directive.

■ Connecting the motor cable

When extending the motor cable, use a connection cable (sold separately). The maximum extension distance including the cable length of the motor itself should be 3.5 m [11.5 ft.] (3 m [9.8 ft.] for the connector type).

■ Notes about installation and wiring

- Ground the motor, driver and other peripheral control equipment directly to the grounding point so that a potential difference does not occur among the grounds.
- When relays or electromagnetic switches are used together with the system, use noise filters and CR circuits to suppress surges generated by them.
- Keep a power supply cable and a signal cable as short as possible without coiling and bundling extra lengths.
- Separate power lines such as the motor cable and the power supply cable from signal lines, and wire them apart as much as possible [example: about 100 to 200 mm (3.94 to 7.87 in.)]. If the power lines must cross over the signal lines, wire them at right angles.

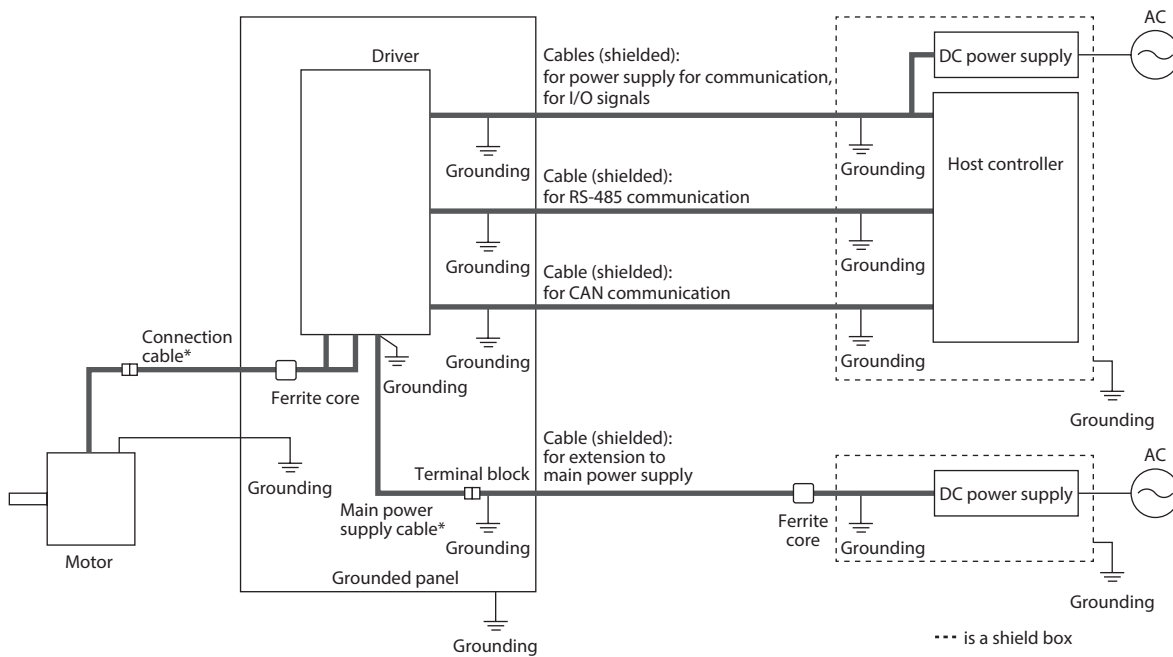
■ Grounding method

- Wires used to ground the motor and the driver must be as thick and short as possible so that no potential difference is generated between the grounding points.
- Choose a large, thick and uniformly conductive surface for the grounding point.
- Install the motor to a grounded metal plate.

■ Example of installation and wiring

Note

The driver uses parts that are sensitive to electrostatic charge. Take measures against static electricity since static electricity may cause the driver to malfunction or suffer damage.



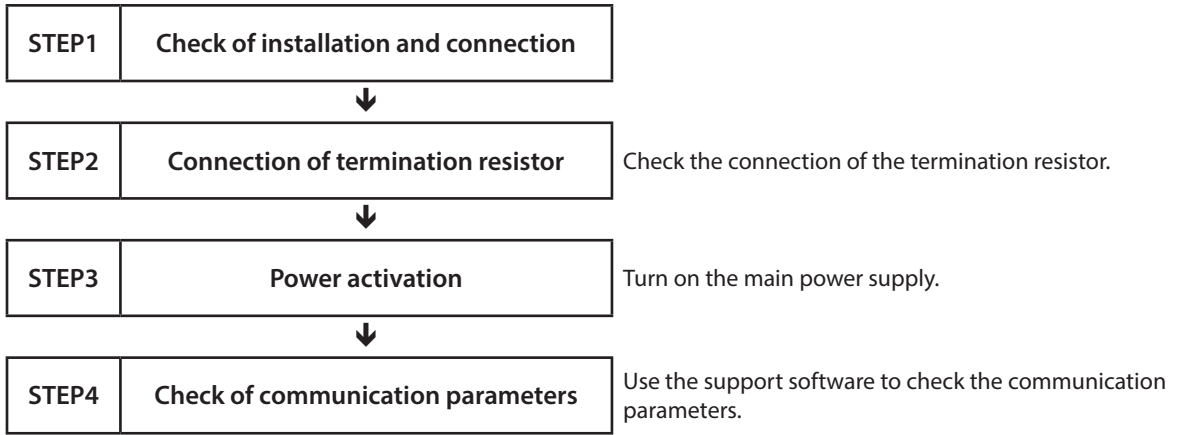
* Oriental Motor connection cables are used.

Note

- The termination resistors are connected on both ends of the CAN communication cable to conduct the testing.
- The CAN-Bus cable is used for the CAN communication cable.

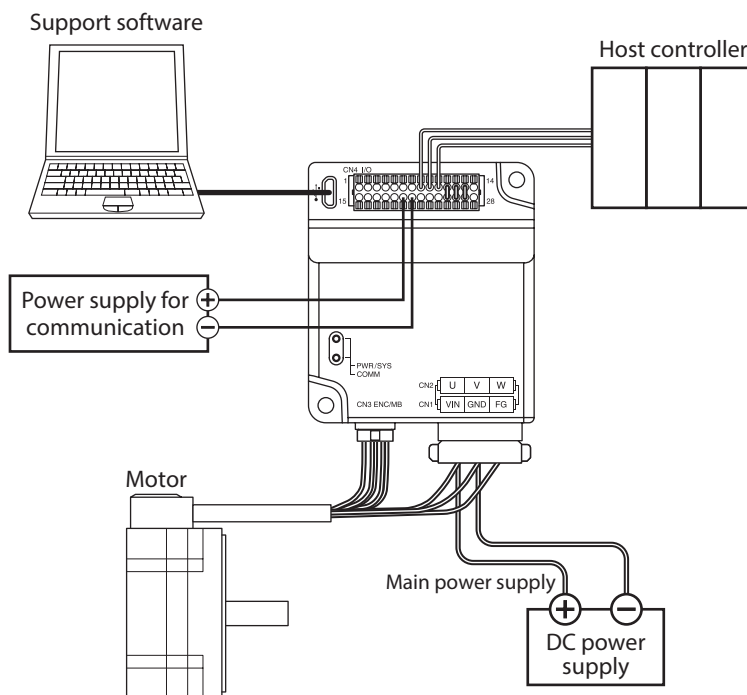
7 Guidance

If you are new to this product, read this section to understand the setting flow of the communication parameters.



7-1 Setting of RS-485 communication

STEP 1 Check of installation and connection



STEP 2 Connection of termination resistor

Connect a termination resistor for a driver located the farthest away (positioned at the end) from the host controller. There are the following two methods for how to connect a termination resistor.

● When a termination resistor inside the driver is used

Change the "RS-485 communication termination resistor" parameter to "Enable" with the support software.

Name	Setting
RS-485 communication termination resistor	Enable

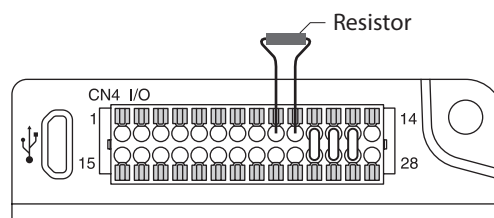
Note The termination resistor is turned ON only when the main power is supplied to the driver since it is turned ON or OFF inside the driver.

memo The termination resistor inside the driver is set based on the address number (slave address). The terminating resistor is enabled when the slave address 4 is set (initial value). When the slave address 4 is used, check the connection of termination resistor. Refer to the OPERATING MANUAL Function Edition for how to set the address number.

● When a resistor (120 Ω) is connected between the TR+ and TR- terminals of the CN4 connector

Connecting method

1. Connect lead wires to a resistor.
2. Connect the lead wires between the TR+ and TR- terminals of CN4.



Note

- Be sure to connect a resistor between the TR+ and TR- terminals. Incorrect connection may cause damage to the resistor.
- When connecting a resistor, set the "RS-485 communication termination resistor" parameter to "Disable."

memo For a resistor, use a metal film resistor of 120 Ω, 1/2 W or more.

STEP 3 Power activation

Turn on the main power supply.
Start the support software.
Execute "Communication port" to check the setting of the communication port.
Execute "Data reading" to read the driver data.

STEP 4 Check of communication parameters

Start "Starts the simple setting." of the support software.

The screenshot shows the 'Simple setting' window with the following sections:

- Starts the simple setting:** A checked checkbox.
- Communication setting:** Includes 'COM Setting Condition' (COMM-I/F mode selection: CANopen&Modbus RTU), 'Communication power supply' (ON), and 'ID-SEL' options (ID-SEL0 to ID-SEL3).
- CANopen Communication setting:** Includes 'Node-ID' (1), 'Baudrate' (500kbps), 'Statusword - remote' (checked), and 'Communication status' (Initialization).
- Modbus Communication setting:** Includes 'Slave address' (1), 'Baudrate' (230400bps), 'Communication parity' (Even), and 'Termination resistor' (Disable).
- Present setting (Modbus):** Includes 'Communication timeout[ms]' (0), 'Transmission waiting time[ms]' (3.0), 'Silent interval[ms]' (0.0), and 'Communication error detection' (3).
- Communication status (Modbus):** Includes 'COM Error Condition' (00:Communication error not present), 'Reception byte' (0), 'Transmission byte' (0), 'Normal reception frame' (0), and 'Transmission frame' (0).

Set the following communication parameters according to the communication parameters of the host controller.

This close-up shows the 'Modbus Communication setting' section with the following values:

- Slave address: 1
- Baudrate: 230400bps
- Communication parity: Even
- Termination resistor: Disable

If the values are different, change the value of the "Input value" and execute "Reflecting on the driver."

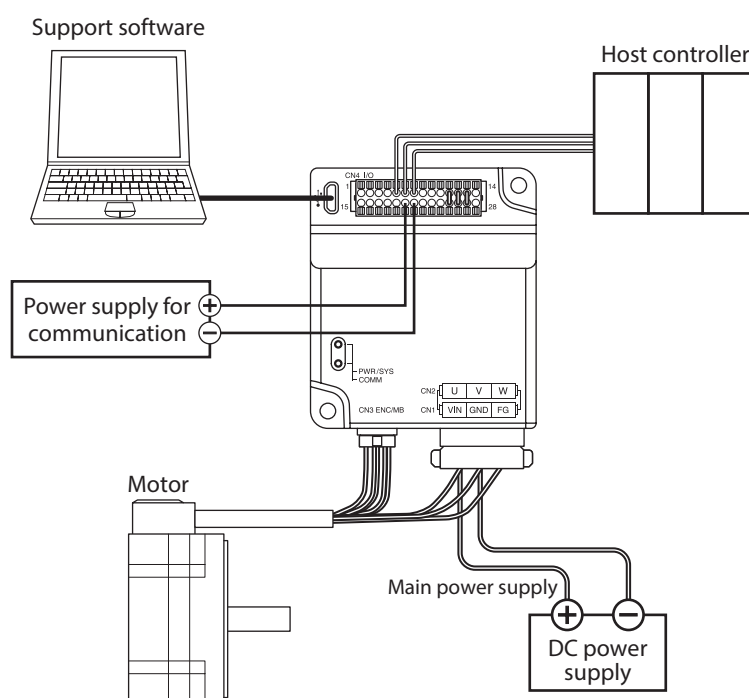
If the following communication parameters are different from those of the host controller, execute "Detailed setting..." to change the parameters.

Parameter name	Initial value
Byte & word order (Modbus)	Even Address-High Word & Big-Endian
Communication stop bit (Modbus)	1 bit

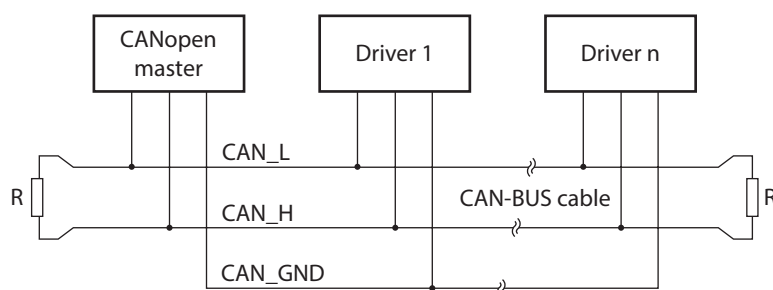
memo The "Slave address" can be changed by the ID-SEL0 and ID-SEL1 inputs.

7-2 Setting of CAN communication

STEP 1 Check of installation and connection



STEP 2 Connection of termination resistor



R: Termination resistor

Connect the termination resistor (120 Ω, 1/4 W or more) on both ends of a bus. Termination resistors are not included with the product.

STEP 3 Power activation

Turn on the main power supply.

Start the support software.

Execute "Communication port" to check the setting of the communication port.

Execute "Data reading" to read the driver data.

STEP 4 Check of communication parameters

Start "Starts the simple setting." of the support software.

The screenshot shows the 'Simple setting' window with the following sections:

- Starts the simple setting:** A checked checkbox.
- Communication setting:**
 - COM Setting Condition: CANopen / Modbus RTU Detailed setting...
 - Communication power supply: * To communicate, the communication power supply is required to be turned on.
 - Communication power supply lost action:
 - ID-SEL(Applicable value): ID-SEL0 ID-SEL1 ID-SEL2 ID-SEL3
 - ID-SEL(Present value): ID-SEL0 ID-SEL1 ID-SEL2 ID-SEL3
- CANopen Communication setting:**

	Input value	Present value	
Node-ID	1	1	Reflecting on the driver.
Bitrate	500kbps	500kbps	
Statusword - remote	<input checked="" type="checkbox"/>		CANopen com. status monitor
Communication status	<input type="text" value="Initialization"/>		
Communication error	<input type="text" value="No error"/>		
Reception count	<input type="text" value="0"/>		
Transmission count	<input type="text" value="7"/>		
- Modbus Communication setting:**

	Input value	Present value	
Slave address	1	1	Reflecting on the driver.
Baudrate	230400bps	230400bps	
Communication parity	Even	Even	
Termination resistor	Disable	Disable	

Present setting

COMM-I/F mode selection: CANopen&Modbus RTU / Stop bit: 1 bit			
Communication timeout[ms] :	<input type="text" value="0"/>	Transmission waiting time[ms] :	<input type="text" value="3.0"/>
Silent interval[ms] :	<input type="text" value="0.0"/>	Communication error detection :	<input type="text" value="3"/>

Communication status

COM Error Condition : <input type="text" value="00:Communication error not present"/>			
Reception byte :	<input type="text" value="0"/>	Transmission byte :	<input type="text" value="0"/>
Normal reception frame(Only own address) :	<input type="text" value="0"/>	Transmission frame :	<input type="text" value="0"/>
Communication interval [ms] :	<input type="text" value="0"/>		

RS-485 com. status monitor

Set the following communication parameters according to the communication parameters of the host controller.

This screenshot focuses on the 'CANopen Communication setting' section, showing:

- Node-ID: (Input value) / (Present value)
- Bitrate: (Input value) / (Present value)
- Statusword - remote:
- Communication status:
- Communication error:
- Reception count:
- Transmission count:
- Reflecting on the driver.** button
- CANopen com. status monitor

If the values are different, change the value of the "Input value" and execute "Reflecting on the driver."

memo The "Node-ID" can be changed by the ID-SEL0 and ID-SEL1 inputs.

8 Inspection and maintenance

8-1 Inspection

It is recommended that periodic inspections are conducted for the items listed below after each operation of the motor. If an abnormality is generated, discontinue any use and contact your nearest Oriental Motor sales office.

■ Inspection item

● Motor

- Check if any of the mounting screws of the motor and gearhead is loose.
- Check if the bearing part (ball bearings) of the motor generates unusual noises.
- Check if the bearing part (ball bearings) or gear meshing part of the gearhead generates unusual noises.
- Check if the output shaft of the motor and gearhead and a load shaft are out of alignment.
- Check if a damage or stress is applied on the cable or the connection part between the cable and driver is loose.

● Driver

- Check if any of the mounting screws secured the driver is loose.
- Check if the connection part with the connector is loose.
- Check if dust is deposited on the driver.
- Check if the driver has unusual smells or appearance defects.



The driver uses semiconductor components. Static electricity may damage the semiconductor components of the driver, so be extremely careful when handling them.

8-2 Warranty

■ Product warranty

Check on the Oriental Motor Website for the product warranty.

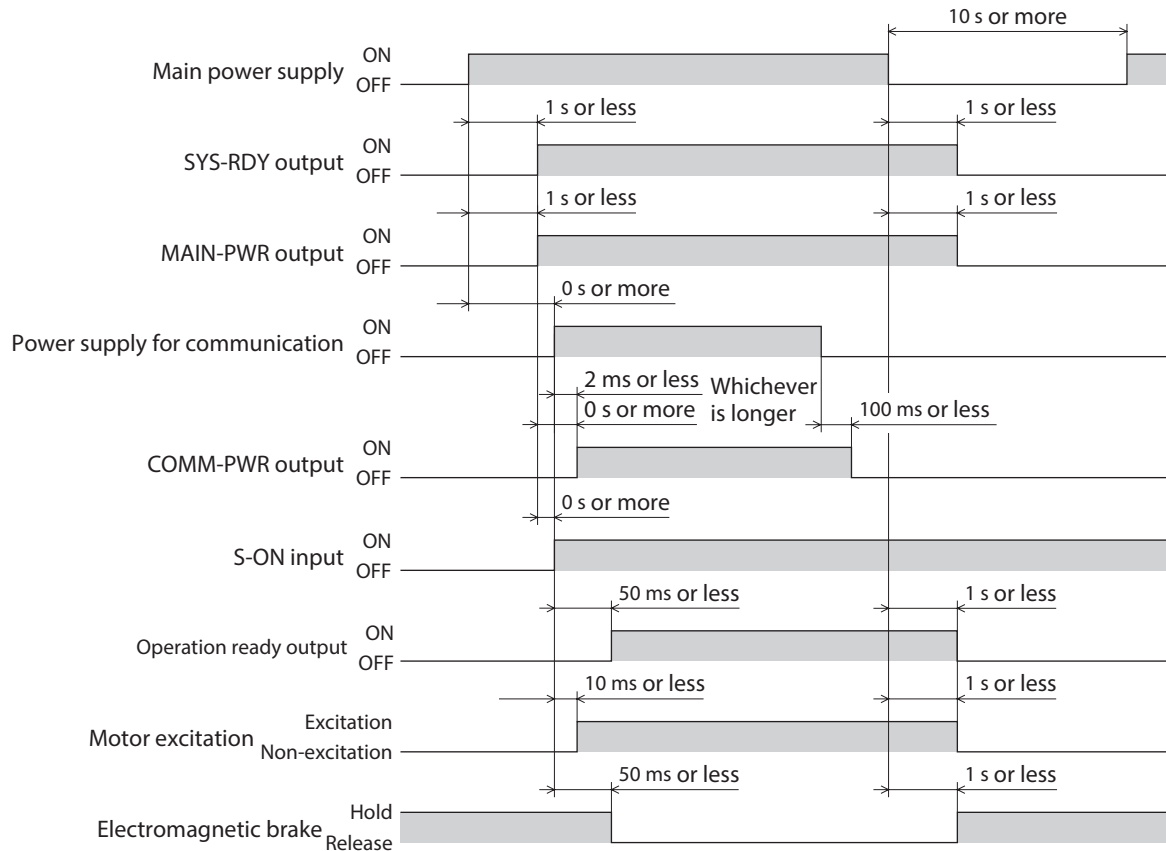
8-3 Disposal

Dispose the product correctly in accordance with laws and regulations, or instructions of local governments.

9 Appendix

9-1 Timing chart

■ Power activation



9-2 Alarm list

Alarm code	Number of LED blinks	Alarm type	Reset using the ALM-RST input	Motor excitation*1
10h	7	Position deviation	Possible	Non-excitation after deceleration
20h	9	Overcurrent	Not possible	Non-excitation
21h	7	Main circuit overheat	Possible	Non-excitation after deceleration
22h	5	Overvoltage		Non-excitation
25h		Undervoltage		Non-excitation after deceleration
26h	7	Motor overheat	Not possible	Non-excitation
28h	2	Encoder error		
29h	9	Internal circuit error		
2Ah	2	Encoder communication error		
2Dh	2	Motor connection error*2		

Alarm code	Number of LED blinks	Alarm type	Reset using the ALM-RST input	Motor excitation*1
30h	7	Overload	Possible	Non-excitation after deceleration
31h		Overspeed		
41h	9	EEPROM error	Not possible	Non-excitation
42h	2	Initial encoder error		
44h	9	Encoder EEPROM error		
45h	2	Motor combination error		
4Ah	7	Return-to-home incomplete	Possible	Excitation
50h	9	Electromagnetic brake overcurrent	Not possible	Non-excitation
53h	3	HWTO input circuit error		
55h	2	Electromagnetic brake connection error		
60h	3	±LS both sides active	Possible	Excitation
61h		Reverse ±LS connection		
62h	4	Return-to-home operation error		
63h		No HOMES		
64h		Z, SLIT signal error		
66h		Hardware overtravel		
67h	6	Software overtravel		
68h	1	HWTO input detection		
6Ah	6	Return-to-home additional operation error		Excitation
6Eh	1	User alarm*2		Non-excitation after deceleration*3
70h	6	Operation data error		Excitation
71h		Unit setting error	Not possible	Non-excitation
81h	8	Network bus error	Possible	Excitation
84h		RS-485 communication error		
85h		RS-485 communication timeout		
8Ch		Outside setting range	Not possible	Non-excitation
F0h	Lighting	CPU error		
F3h	6	CPU overload		

*1 An excitation state of the motor when an alarm is generated is as follows.

Non-excitation: If an alarm is generated, the motor current is cut off and the motor holding force is lost.

When an electromagnetic brake motor is used, the electromagnetic brake automatically actuates to hold the motor shaft.

Non-excitation after deceleration: If an alarm is generated, the motor decelerates to a stop.

After decelerating to a stop, the motor current is cut off and the motor holding force is lost.
When an electromagnetic brake motor is used, the electromagnetic brake automatically actuates to hold the motor shaft.

Excitation: If an alarm is generated, the motor will decelerates to a stop.

After decelerating to a stop, the motor current is not shut off and the motor excitation state is continued.

*2 It is effective for the driver version 3.00 or later.

*3 This is the initial setting. The motor excitation state after stop can be set with the "User alarm action" parameter.

9-3 Specifications

■ Specifications

Motor models in the table below describe a part of the entire name of models. Refer to p.12 for models in details.

Model	Motor	BLMR260HK BLMR460SHK	BLMR5100K	BLMR5200K BLMR6200SK	BLMR5400K BLMR6400SK
	Driver	BLVD-KRD			
Rated output power		60 W	100 W	200 W	400 W
Power supply input	Rated voltage	24 to 48 VDC			48 VDC
	Allowable operating voltage	15 to 55 VDC			30 to 55 VDC
	Rated current	1.7 A (48 VDC) to 3.3 A (24 VDC)	2.6 A (48 VDC) to 5.1 A (24 VDC)	5.3 A (48 VDC) to 10.5 A (24 VDC)	10.4 A
	Maximum input current	5.5 A	10 A	18 A	16 A
Power supply input for communication	Rated voltage	24 to 48 VDC			
	Allowable operating voltage	15 to 55 VDC			
	Maximum input current	0.2 A			
I/O signals	Input signal	12 to 30 VDC			
	Output signals	12 to 30 VDC Current 10 mA or less			
Rated torque		0.191 N·m (1.69 lb-in)	0.319 N·m (2.8 lb-in)	0.637 N·m (5.6 lb-in)	1.27 N·m (11.2 lb-in)
Peak torque		0.382 N·m (3.3 lb-in) [200%]	0.704 N·m (6.2 lb-in) [220%]	1.34 N·m (11.8 lb-in) [210%]	2.54 N·m (22 lb-in) [200%]
Rated speed		3000 r/min			
Speed control range		1 to 4000 r/min (Speed ratio 1:4000)			
Time rating		Continuous			30 minutes*

* Operation can be performed for 30 minutes continuously. However, operation for more than 30 minutes can be performed depending on an ambient temperature and heat radiation condition.

■ General specifications

Degree of protection		Motor: IP40, driver: IP20
Operating environment	Ambient temperature	0 to +40 °C (+32 to +104 °F) (non-freezing)
	Humidity	85% or less (non-condensing)
	Altitude	Up to 1000 m (3300 ft.) above sea level
	Surrounding atmosphere	No corrosive gas, dust, water or oil. Cannot be used in radioactive materials, magnetic field, vacuum or other special environments.
	Vibration	Not subject to continuous vibration or excessive impact. In conformance with JIS C 60068-2-6 "Sine-wave vibration test method" Frequency range: 10 Hz to 55 Hz Pulsating amplitude: 0.15 mm (0.006 in.) Sweep direction: 3 directions (X, Y, Z) Number of sweeps: 20 times
Storage environment Shipping environment	Ambient temperature	Motor: -20 to +70 °C [-4 to +158 °F] (non-freezing) Driver: -25 to +70 °C [-13 to +158 °F] (non-freezing)
	Humidity	85% or less (non-condensing)
	Altitude	Up to 3000 m (10000 ft.) above sea level
	Surrounding atmosphere	No corrosive gas, dust, water or oil. Cannot be used in radioactive materials, magnetic field, vacuum or other special environments.

■ RS-485 communication specifications

Electrical characteristics	In conformance with EIA-485 Use twisted-pair wires and keep the total extension distance up to 10 m (32.8 ft.). *
Communication mode	Half duplex Asynchronous mode (data: 8 bits, stop bit: 1 bit/2 bits, parity: none/even number/odd number)
Transmission rate	Selectable from 9,600 bps, 19,200 bps, 38,400 bps, 57,600 bps, 115,200 bps, and 230,400 bps (initial value).
Protocol	Modbus RTU mode
Type of Connection	Up to 31 drivers can be connected to one host controller.

* If the motor cable or power supply cable generates an undesirable amount of noise depending on the wiring or configuration, shield the cable or install a ferrite core.

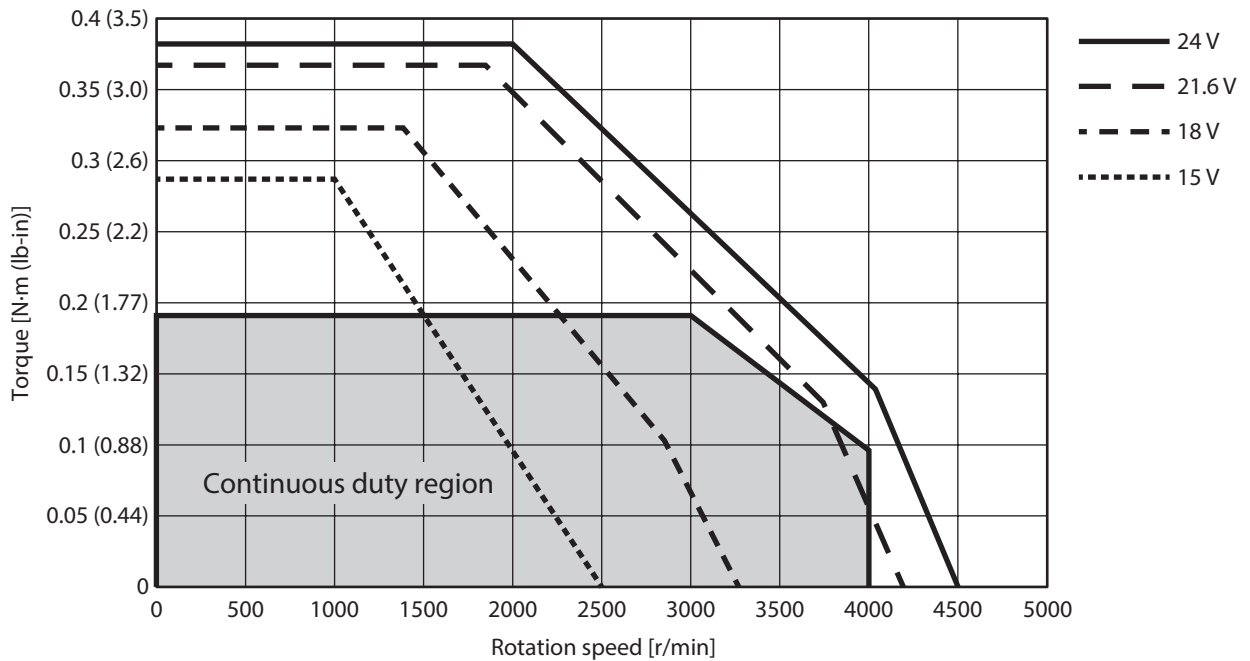
■ CAN communication specifications

Electrical characteristics	In conformance with ISO 11898 Use the CAN-Bus cable.
Communication protocol	CANopen
Communication profile	In conformance with CiA DS301 Version 4.2.0
Device profile	In conformance with CiA DSP402 Version 4.0.0
Node ID	1 to 127
Bit rate	Selectable from 1 Mbps, 800 kbps, 500 kbps (initial value), 250 kbps, 125 kbps, 50 kbps, 20 kbps, 10 kbps
Maximum bus length	25 m (82 ft.) [maximum bus length at 1 Mbps]
Communication objects	NMT (Network Management) SDO (Service Data Object: 1 SDO server) PDO (Process Data Object: 4 Receive-PDO, 4 Transmit-PDO) EMCY (Emergency Object) SYNC (Synchronization Object)
Operation modes	Profile velocity mode (pv) Profile position mode (pp) Homing mode (hm)

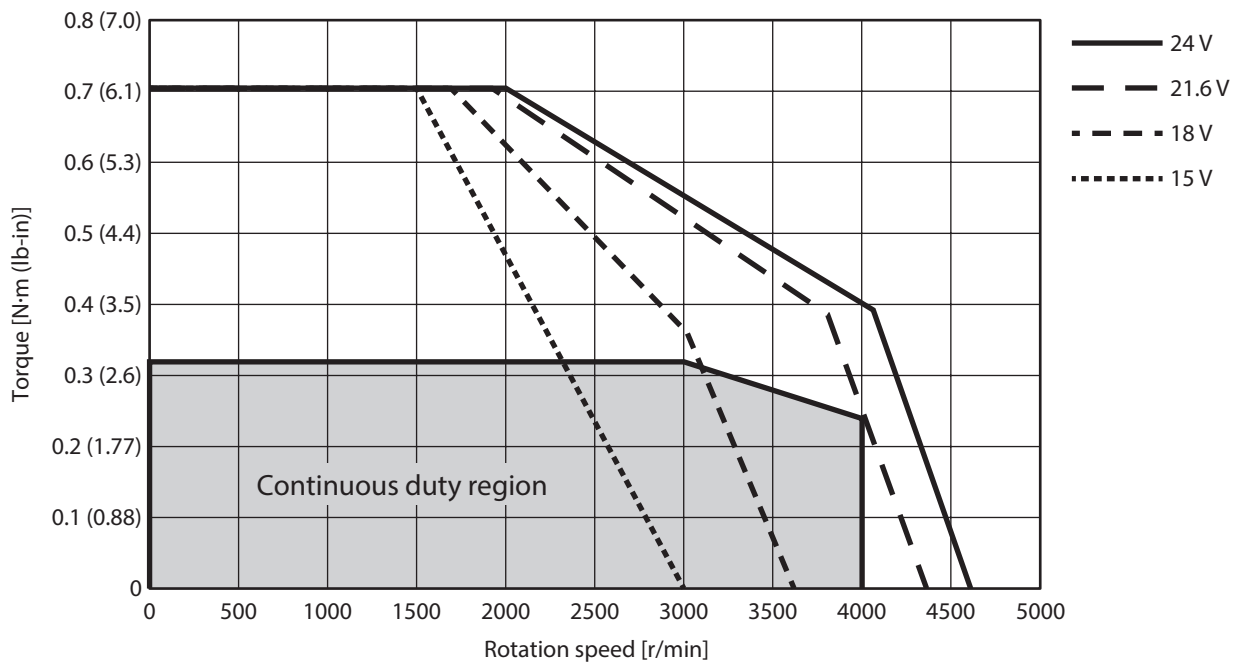
■ Main power supply input voltage and output torque

If the input voltage to the main power supply is dropped, the output torque is limited.

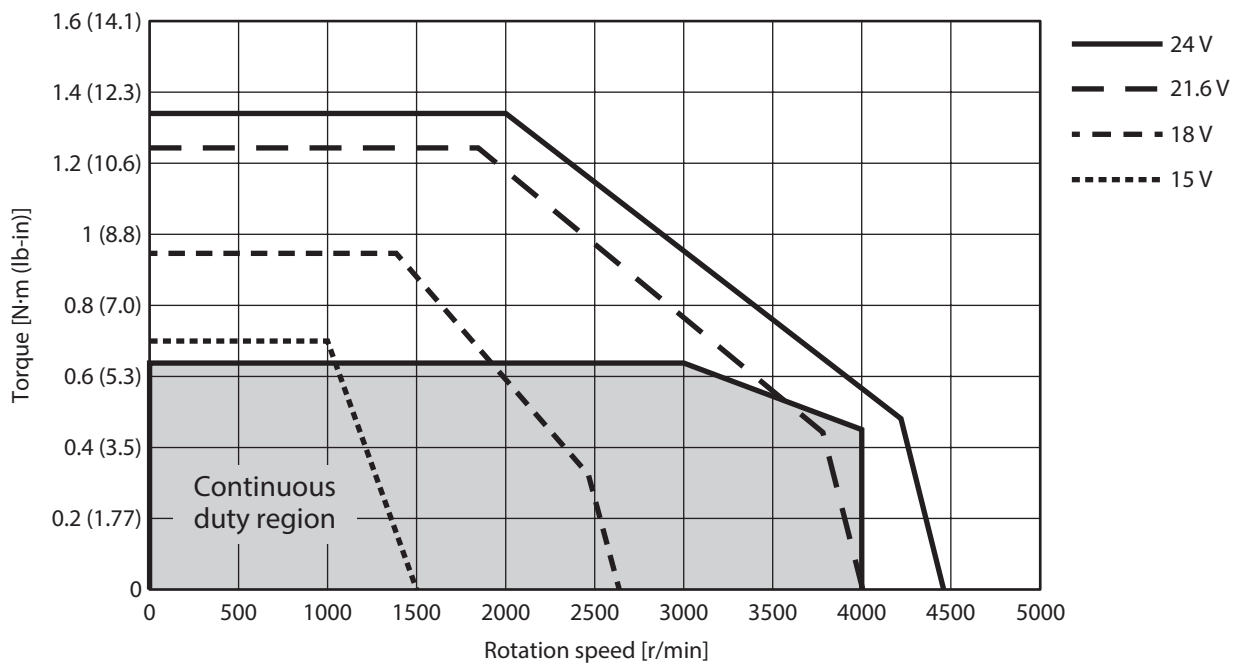
● 60 W type motor



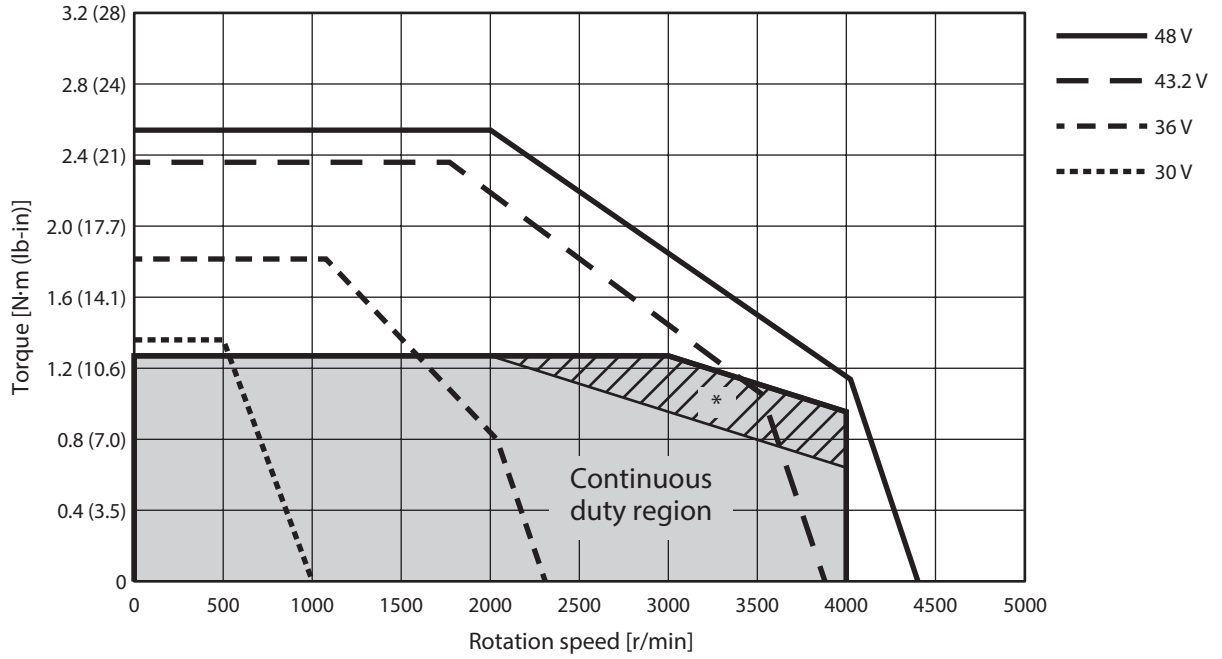
● 100 W type motor



● 200 W type motor



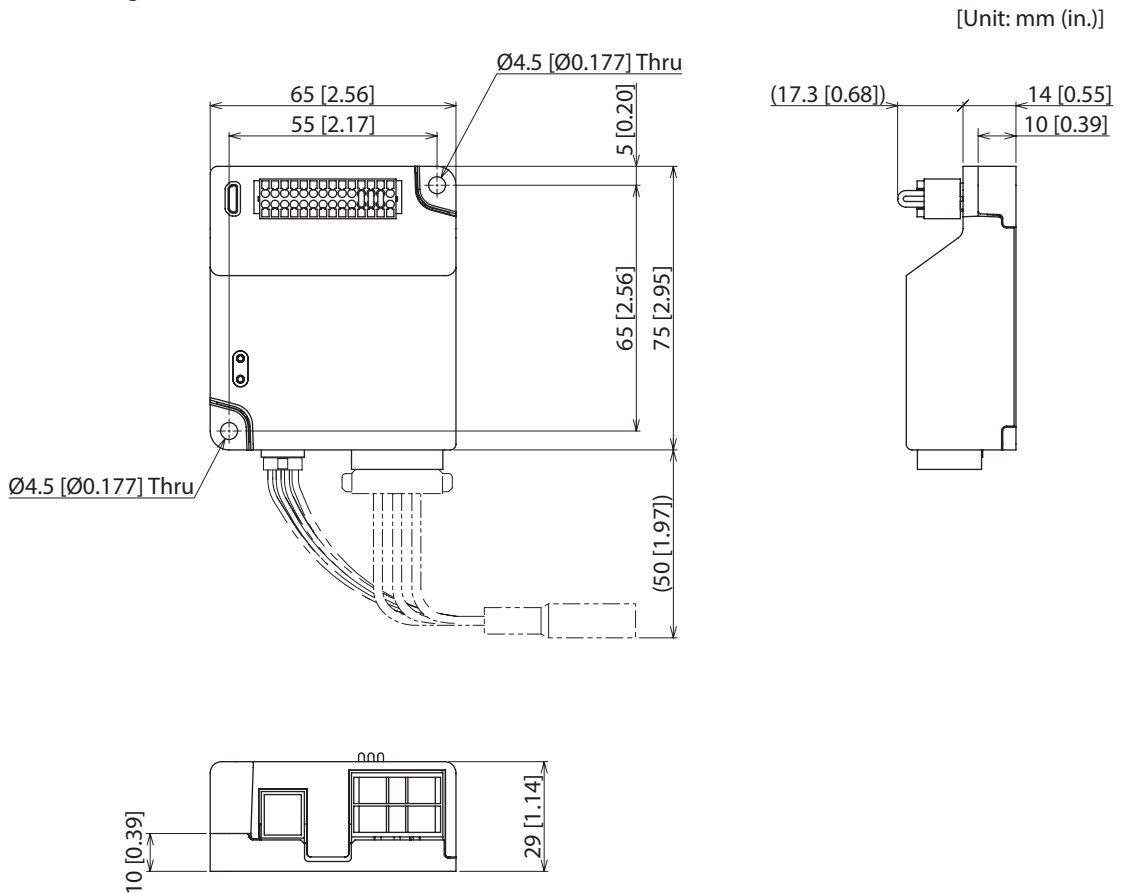
● 400 W type motor



* The shaded area indicates the time rating of 30 minutes.

■ Dimensions

Mass: 0.12 kg (0.26 lb.)



9-4 Regulations and standards

■ UL Standards, CSA Standards

This product is recognized by UL under the UL and CSA Standards.

■ CE Marking/UKCA Marking

This product is affixed with the marks under the following directives/regulations.

EU EMC Directive/UK EMC Regulation

Refer to "6-10 Conformity to the EMC Directive" on p.38 for details about conformity.

■ EU RoHS Directive/UK RoHS Regulation

This products do not contain the substances exceeding the restriction values.

■ Republic of Korea, Radio Waves Act

This products is affixed with the KC Mark under the Radio Waves Act, the Republic of Korea.

- Unauthorized reproduction or copying of all or part of this manual is prohibited.
If a new copy is required to replace an original manual that has been damaged or lost, please contact your nearest Oriental Motor branch or sales office.
- Oriental Motor shall not be liable whatsoever for any problems relating to industrial property rights arising from use of any information, circuit, equipment or device provided or referenced in this manual.
- Characteristics, specifications and dimensions are subject to change without notice.
- While we make every effort to offer accurate information in the manual, we welcome your input. Should you find unclear descriptions, errors or omissions, please contact the nearest office.
- **Orientalmotor** is a registered trademark or trademark of Oriental Motor Co., Ltd., in Japan and other countries.
Modbus is a registered trademark of Schneider Automation Inc.
CiA® and CANopen® are registered trademarks of CAN in Automation e.V.
Other product names and company names mentioned in this manual may be registered trademarks or trademarks of their respective companies and are hereby acknowledged. The third-party products mentioned in this manual are recommended products, and references to their names shall not be construed as any form of performance guarantee. Oriental Motor is not liable whatsoever for the performance of these third-party products.

© Copyright ORIENTAL MOTOR CO., LTD. 2021

Published in July 2022

- Please contact your nearest Oriental Motor office for further information.

ORIENTAL MOTOR U.S.A. CORP.
Technical Support Tel:800-468-3982
8:30am EST to 5:00pm PST (M-F)
www.orientalmotor.com

ORIENTAL MOTOR (EUROPA) GmbH
Schiessstraße 44, 40549 Düsseldorf, Germany
Technical Support Tel:00 800/22 55 66 22
www.orientalmotor.de

ORIENTAL MOTOR (UK) LTD.
Unit 5 Faraday Office Park, Rankine Road,
Basingstoke, Hampshire RG24 8QB UK
Tel:+44-1256347090
www.oriental-motor.co.uk

ORIENTAL MOTOR (FRANCE) SARL
Tel:+33-1 47 86 97 50
www.orientalmotor.fr

ORIENTAL MOTOR ITALIA s.r.l.
Tel:+39-02-93906347
www.orientalmotor.it

ORIENTAL MOTOR ASIA PACIFIC PTE. LTD.
Singapore
Tel:1800-842-0280
www.orientalmotor.com.sg

ORIENTAL MOTOR (MALAYSIA) SDN. BHD.
Tel:1800-806-161
www.orientalmotor.com.my

ORIENTAL MOTOR (THAILAND) CO., LTD.
Tel:1800-888-881
www.orientalmotor.co.th

ORIENTAL MOTOR (INDIA) PVT. LTD.
Tel:1800-120-1995 (For English)
1800-121-4149 (For Hindi)
www.orientalmotor.co.in

TAIWAN ORIENTAL MOTOR CO., LTD.
Tel:0800-060708
www.orientalmotor.com.tw

SHANGHAI ORIENTAL MOTOR CO., LTD.
Tel:400-820-6516
www.orientalmotor.com.cn

INA ORIENTAL MOTOR CO., LTD.
Korea
Tel:080-777-2042
www.inaom.co.kr

ORIENTAL MOTOR CO., LTD.
4-8-1 Higashiueno, Taito-ku, Tokyo
110-8536 Japan
Tel:+81-3-6744-0361
www.orientalmotor.co.jp