



OPERATING MANUAL

Brushless Motor

BLM Motor Connector Type

Watertight, Dust-Resistant



Introduction

■ Before using the product

Only qualified personnel of electrical and mechanical engineering should work with the product. Use the product correctly after thoroughly reading the section "Safety precautions." In addition, be sure to observe the contents described in warning, caution, and note in this manual. The product described in this manual has been designed and manufactured to be incorporated in general industrial equipment. Do not use for any other purpose. Oriental Motor Co., Ltd. is not responsible for any damage caused through failure to observe this warning.

■ Related operating manuals

Operating manuals for this product are listed below. Operating manuals are not included with the product. Download from Oriental Motor Website Download Page or contact your nearest Oriental Motor sales office.

	Operating manual name
Motor	BLM Motor Connector Type Watertight, Dust-Resistant OPERATING MANUAL (this document)
Driver	BMU Series OPERATING MANUAL BLE2 Series OPERATING MANUAL

For other descriptions, refer to the operating manual of the driver.

Safety precautions

The precautions described below are intended to ensure the safe and correct use of the product, and to prevent the customer and others from exposure to the risk of injury. Use the product only after carefully reading and fully understanding these instructions.

WARNING	Handling the product without observing the instructions that accompany a "WARNING" symbol may result in serious injury or death.
CAUTION	Handling the product without observing the instructions that accompany a "CAUTION" symbol may result in injury or property damage.
Note	The items under this heading contain important handling instructions that the user should observe to ensure safe use of the product.

[Description of graphic symbols]

- Indicates "prohibited" actions that must not be performed.
- Indicates "compulsory" actions that must be performed.

WARNING	
	<ul style="list-style-type: none"> Do not use the product in explosive or corrosive environments, in the presence of flammable gases, in water, or near combustibles. Doing so may result in fire, electric shock, or injury. Do not transport, install, connect or inspect the product while the power is supplied. Always turn off the power before carrying out these operations. Electric shock or damage to equipment may result. Do not use a motor in a vertical application. If the driver's protection function is activated, the motor will stop and the moving part of the equipment will drop, thereby causing injury or equipment damage. Do not machine or modify the cable. Doing so may result in fire, electric shock, or damage to equipment. Do not apply any excessive force to the motor connector. Doing so may result in fire, electric shock, or damage to equipment.

Thank you for purchasing an Oriental Motor product. This Operating Manual describes product handling procedures and safety precautions.

- Please read it thoroughly to ensure safe operation.
- Always keep the manual where it is readily available.

WARNING

	<ul style="list-style-type: none"> Do not forcibly bend, pull or pinch the cable. Doing so may result in fire, electric shock, or damage to equipment. Do not remove the connector cap until the connection cable is connected so that the O-ring of the connector for cable connection on the motor is not damaged. Doing so may result in fire, electric shock, or damage to equipment. Do not touch the motor or driver when conducting the insulation resistance measurement or dielectric strength test. Accidental contact may result in electric shock. Do not disassemble or modify the motor. Doing so may result in electric shock, injury or damage to equipment. Refer all such internal inspections and repairs to the branch or sales office from which you purchased the product.
	<ul style="list-style-type: none"> Only qualified and educated personnel should be allowed to perform installation, connection, operation and inspection/troubleshooting of the product. Handling by unqualified and uneducated personnel may result in fire, electric shock, injury, or damage to equipment. The motor is Class I equipment. Install the motor so as to avoid contact with hands, or ground it to prevent the risk of electric shock. Use a motor and driver only in the specified combination. Failure to do so may result in fire, electric shock, or damage to equipment. Always turn off the power before performing maintenance or inspection. Failure to do so may result in electric shock.

CAUTION

	<ul style="list-style-type: none"> Do not use the motor beyond the specifications. Doing so may result in fire, electric shock, injury or damage to equipment. Do not touch the motor while operating or immediately after stopping. The surface of the motor is hot and it may cause a skin burn(s). Do not leave anything around the motor that would obstruct ventilation. Doing so may result in damage to equipment. Do not lift up the product by holding the output shaft or cable. Doing so may result in injury. Do not touch the motor output shaft (end or pinion) with bare hands. Doing so may cause injury. When assembling the motor with the gearhead, exercise caution not to pinch your fingers or other parts of your body between the motor and gearhead. Injury may result. When installing the motor in equipment, exercise caution not to pinch your fingers or other parts of your body between the product and equipment. Injury may result. Do not touch the rotating part (output shaft) while operating the motor. Doing so may cause injury.
	<ul style="list-style-type: none"> Securely install the motor to the mounting plate. Inappropriate installation may cause the motor to detach and fall, resulting in injury or damage to equipment. Provide a cover over the rotating part (output shaft). Failure to do so may result in injury. Securely install a load on the output shaft. Inappropriate installation may result in injury. Be sure to ground the motor and driver to prevent them from being damaged by static electricity. Failure to do so may result in fire or damage to equipment. The motor surface temperature may exceed 70°C (158°F) even under normal operating conditions. If the operator is allowed to approach the motor in operation, attach a warning label in a conspicuous position as shown in the figure. Failure to do so may result in a skin burn(s).



Warning label

Precautions for use

This chapter covers restrictions and requirements the user should consider when using the product.

Be sure to match the motor output power with the driver output power.

Wiring

● Connecting the motor and driver

To connect the motor and driver, always use the dedicated connection cable (sold separately). Limit the number of times so that attaching/detaching between the connection cable and the motor or driver will not exceed 100 times. Before removing the connection cable, wipe off moisture and dirt attached to the motor.

● Make sure to prevent water from splashing on the end part of the driver side including the connector for driver connection of the connection cable.

Splashing water on it may cause water to ingress into the inside of the motor through the lead wires, resulting in damage to the motor. Refer to "Caution about wirings" on p.6 for details.

Installation circumstances

● Grease measures

On rare occasions, grease may ooze out from the gearhead. If there is concern over possible environmental contamination resulting from the leakage of grease, check for grease stains during regular inspections. Alternatively, install an oil pan or other device to prevent damage resulting from contamination. Grease leakage may lead to problems in the user's equipment or products.

● Note when using in low temperature environment

When an ambient temperature is low, since the load torque may increase by the oil seal or viscosity increment of grease used in the gearhead, the output torque may decrease or the overload alarm may be generated. However, as time passes, the oil seal or grease is warmed up, and the motor can be driven without generating an overload alarm.

Operations

● Rotation direction of the gearhead output shaft

The rotation direction of the gearhead output shaft may vary with that of the motor output shaft depending on the gear ratio of the gearhead.

Gear ratio	Rotation direction of the gearhead output shaft
5, 10, 15, 20, 100	Same direction as the motor output shaft
30, 50	Opposite direction to the motor output shaft

Insulation resistance measurement and dielectric strength test

● Do not conduct the insulation resistance measurement or dielectric strength test with the motor and driver connected.

Conducting the insulation resistance measurement or dielectric strength test with the motor and driver connected may result in damage to the product.

About watertight performance

The motor conforms to IP67 rating for degree of protection in a state where the connection cable is attached. (Except for the end part of the driver side including the connector for driver connection of the connection cable) Use the motor after thoroughly reading the following if the motor is washed with water or used in an environment where water is splashed.

● Degree of protection IP67

The degree of protection for ingress against water of the motor is evaluated under the following conditions according to IEC 60529 and IEC 60034-5. Test condition: Usable after immersion in water to a depth of 1 m for 30 minutes.

● Do not use the motor in water.

● Do not splash hot water or apply hot air to the motor.

The watertight performance of the motor is assumed that fresh water or tap water at normal temperature [+ 5 to + 35 °C (+41 to +95 °F)] is used.

● Do not wash the motor with high-pressure water.

Washing with high-pressure water may cause the painting to peel off.

● Do not use a metal brush or similar hard brushes.

Washing using a metal brush or similar hard brushes may cause the painting to peel off.

Checking the product

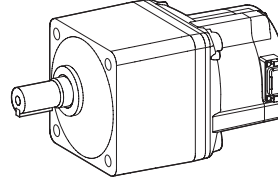
This chapter explains the items you should check, as well as the name of each part.

■ Package contents

Verify that the items listed below are included.

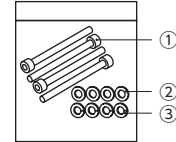
Report any missing or damaged items to the branch or sales office from which you purchased the product.

Motor 1 unit



The parallel key is fixed to the gearhead output shaft.

Mounting screw set..... 1 set *



① Hexagonal socket head screw: 4 pieces

② Plain washer: 4 pieces

③ Spring washer: 4 pieces

Instructions and Precautions for Safe Use 1 copy

* Products with which the mounting screw set is not included are also provided.

■ How to identify the product model

BLM 7 200 H W - 5 S

① ② ③ ④ ⑤ ⑥ ⑦ ⑧

① Motor type	BLM : Brushless Motor
② Frame size	7 : 110 mm (4.33 in.)
③ Output power	200 : 200 W 300 : 300 W 400 : 400 W
④ Motor connection method	H : Connector type
⑤ Degree of protection for motor	W : IP67
⑥ Gear ratio	Number: Gear ratio of gearhead
⑦ Material of output shaft	S : Stainless steel
⑧ Mounting screw set	Blank : Included N : Not included

■ Model

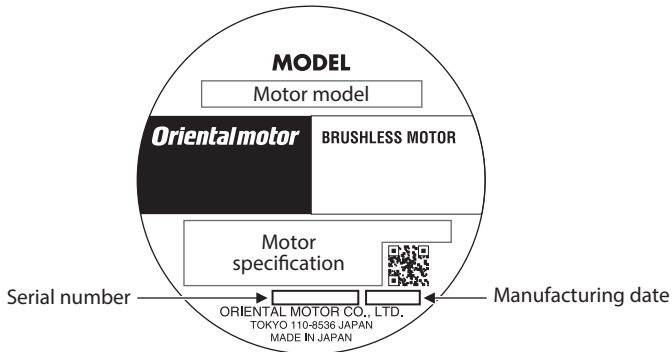
Verify the model name of the purchased product against the model shown on the package label. Check the motor model and the gearhead model against the model name shown on their nameplates, respectively. Tell us the model name, product serial number, and manufacturing date when you contact us.

The box (□) in the model name indicates a number representing the gear ratio. Add "N" at the end of the model name for the products not including the mounting screw set.

Output power	Model	Motor model	Gearhead model
200 W	BLM7200HW-□S	BLM7200HW-GFV	GFV7G□SW
300 W	BLM7300HW-□S	BLM7300HW-GFV	
400 W	BLM7400HW-□S	BLM7400HW-GFV	

Information about nameplate

Motor



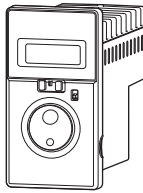
Gearhead



Drivers possible to combine

Products with which the motors can be combined are listed below.

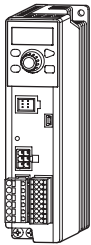
BMU series



Output power	Motor model	Driver model	
		Single-phase 100-120 VAC	Single-phase 200-240 VAC Three-phase 200-240 VAC
200 W	BLM7200	BMUD200-A	BMUD200-C
300 W	BLM7300	—	BMUD300-C
400 W	BLM7400	—	BMUD400-S*

* The power supply voltage is three-phase 200-240 VAC only.

BLE2 series



Output power	Motor model	Driver model	
		Single-phase 200-240 VAC Three-phase 200-240 VAC	Single-phase 200-240 VAC Three-phase 200-240 VAC
200 W	BLM7200	BLE2D200-C	BLE2D200-C
300 W	BLM7300	BLE2D300-C	BLE2D300-C
400 W	BLM7400	BLE2D400-S*	BLE2D400-S*

* The power supply voltage is three-phase 200-240 VAC only.

Connection cable (sold separately)

To connect the motor and driver, the dedicated connection cable (sold separately) is required. The connection cables are provided up to 20 m (65.6 ft.). The cable length that can be connected vary depending on the driver used. Check the operating manual of the driver.

Model name and type

CC 005 KHBL F

Cable length

005 : 0.5 m (1.6 ft.)
010 : 1 m (3.3 ft.)
015 : 1.5 m (4.9 ft.)
020 : 2 m (6.6 ft.)
025 : 2.5 m (8.2 ft.)
030 : 3 m (9.8 ft.)
040 : 4 m (13.1 ft.)
050 : 5 m (16.4 ft.)
070 : 7 m (23.0 ft.)
100 : 10 m (32.8 ft.)
150 : 15 m (49.2 ft.)
200 : 20 m (65.6 ft.)

Cable outlet direction

F : Output shaft direction
B : Opposite to output shaft direction
V : Vertical direction

Output shaft direction:

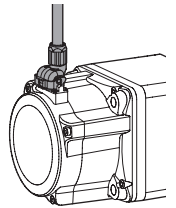
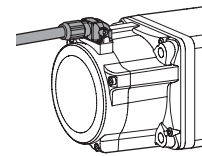
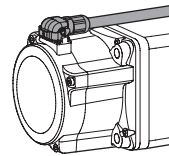
CC__F

Opposite to output shaft

direction: **CC__B**

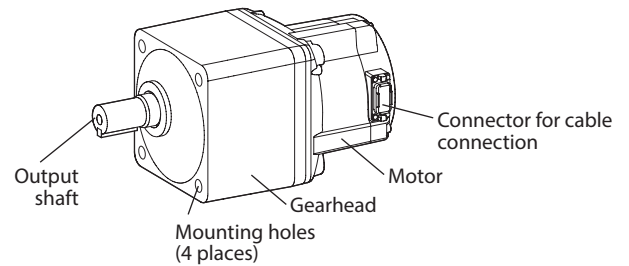
Vertical direction:

CC__V

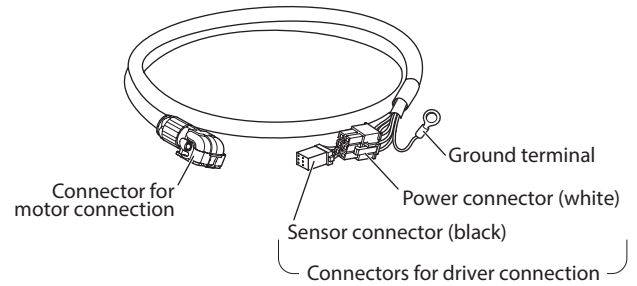


Names of parts

Motor



Connection cable (sold separately)



Installation

This section explains the installation method of a load in addition to the installation location and installation method of the product.

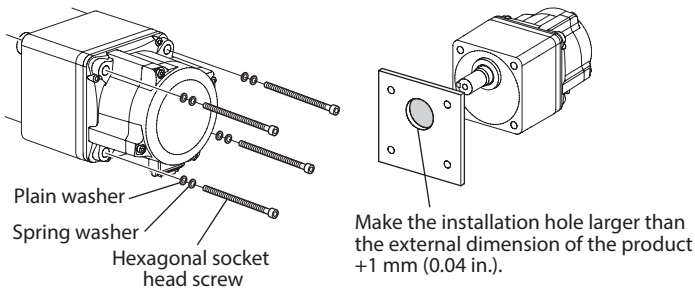
Installation location

Install the product in a well-ventilated location that provides easy access for inspection. The location must also satisfy the following conditions:

- Indoors
 - Operating ambient temperature: 0 to +40 °C (+32 to +104 °F) (non-freezing)
 - Operating ambient humidity 85% or less (non-condensing)
 - Area that is free of explosive atmosphere or toxic gas (such as sulfuric gas) or liquid
 - Area not exposed to direct sun
 - Area free of excessive amount of dust, iron particles or the like
 - Area free of excessive salt
 - Area not subject to continuous vibration or excessive shocks
 - Area free of excessive electromagnetic noise (from welders, power machinery, etc.)
 - Area free of radioactive materials, magnetic fields or vacuum
 - Altitude Up to 1000 m (3300 ft.) above sea level
 - Area not subject to oil (oil droplets) or chemicals
- The motor can be used in an environment where it is splashed with water (excluding the part of the connectors for driver connection). However, do not use it under water or in high water pressure.

Installation method

Secure the motor through four mounting holes using mounting screws (M8). Tighten the screws until no gap remains between the product and mounting plate.

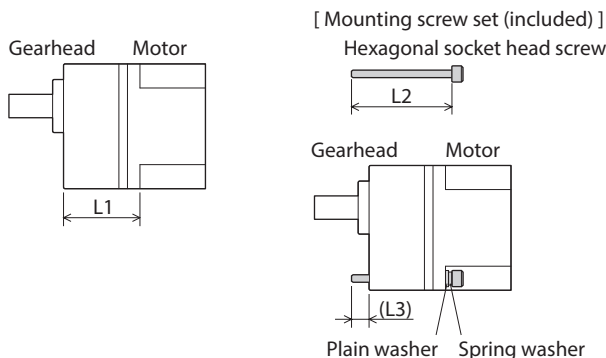


Model	Screw size	Tightening torque
BLM7200 BLM7300 BLM7400	M8	12.0 N·m (106 lb-in)

Material: Stainless steel

Mounting screw

The included mounting screw set contains hexagonal socket head screws, plain washers and spring washers which sizes are shown below. If the included screws are not used, provide screws with reference to the dimensions of L1 in the figure below.



Model	Gear ratio	L1 [mm (in.)]	Hexagonal socket head screw Material: Stainless steel		
			Screw size	L2 [mm (in.)]	L3 [mm (in.)]
BLM7200	5 to 20	78 (3.07)	M8	95 (3.74)	13 (0.51)
BLM7300	30, 50	90 (3.54)		110 (4.33)	16 (0.63)
BLM7400*	100	104 (4.09)		120 (4.72)	12(0.47)

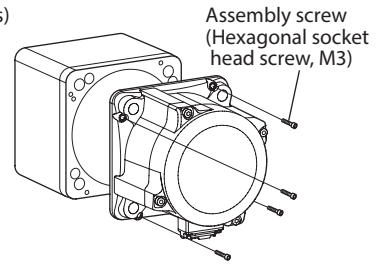
* The gear ratio of the BLM7400 is 5:1 to 50:1.

Removing and assembling the gearhead

See the following steps to replace the gearhead or to change the position of the connector for cable connection.

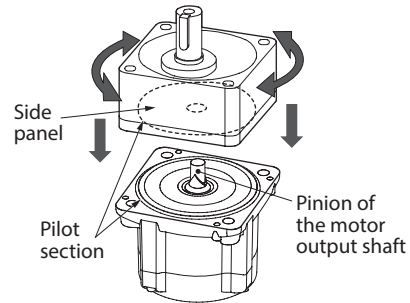
1. Removing the gearhead from the motor

Remove the assembly screws (4 places) assembling the motor and gearhead, and detach the gearhead from the motor.



2. Assembling the gearhead to the motor

Keep the pilot sections of the motor and gearhead in parallel, and assemble the gearhead with the motor while slowly rotating it clockwise/counterclockwise. At this time, note so that the pinion of the motor output shaft does not hit the side panel or gears of the gearhead strongly.



Assemble the gearhead to the motor in a condition where the motor output shaft is in an upward direction.

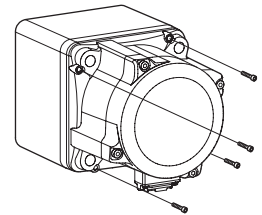
Note

- Do not forcibly assemble the motor and gearhead. Also, prevent metal objects or foreign substances from entering in the gearhead. The pinion of the motor output shaft or gear may be damaged, resulting in noise or shorter service life.
- Do not allow dust to attach to the pilot sections of the motor and gearhead. Also, assemble the motor and gearhead carefully by not pinching the O-ring at the motor pilot section. If the O-ring is crushed or severed, grease may leak from the gearhead, or water may penetrate into the inside of the motor, resulting in electric shock or damage to the product.

3. Tightening with assembly screws

Check that there is no gap between the motor and gearhead, and secure them with hexagonal socket head screws for assembling (4 places).

Tightening torque: 0.6 N·m (5.3 lb-in)



Note

Be sure to secure four places with the assembly screws, and surely tighten them with the recommended tightening torque. Failure to do so may cause water to penetrate into the inside of the motor, resulting in electric shock or damage to the product. Also, grease may leak from the gearhead.

■ Installing a load

When installing a load, pay attention to the following points.

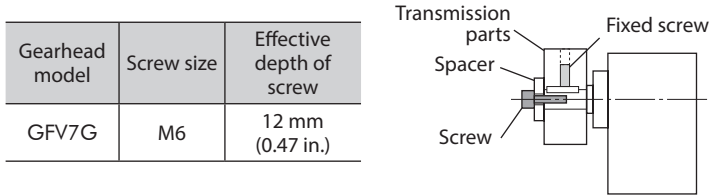
- Align the centerline of the output shaft with that of the load.
- A key slot is provided on the gearhead output shaft. Form a key slot on the load side and secure the load using the parallel key.

Note

- When coupling with a load, pay attention to centering, belt tension, parallelism of pulleys, etc. Also, firmly secure the tightening screws of the coupling or pulleys.
- When installing a load, do not damage the output shaft or bearing. Forcing in the load by driving it with a hammer, etc., may break the bearing. Do not apply any excessive force to the output shaft.
- Do not modify or machine the output shaft. This may damage the bearing, resulting in damage to the motor and gearhead.

When using the output shaft end tapped hole of a gearhead

Use a tapped hole provided at the end of the output shaft as an auxiliary means for preventing the transfer mechanism from disengaging.

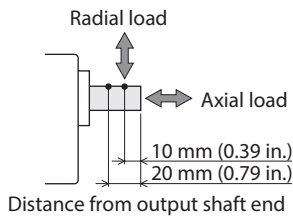


■ Permissible radial load and permissible axial load

Make sure a radial load and axial load applied to the output shaft will not exceed the permissible values shown in the table below.

Note

Failure due to fatigue may occur when the bearings and output shaft are subject to repeated loading by a radial or axial load that is in excess of the permissible limit.



Model	Gear ratio	Permissible radial load [N (lb.)]*1 Distance from output shaft end of the gearhead		Permissible axial load [N (lb.)]
		10 mm (0.39 in.)	20 mm (0.79 in.)	
BLM7200 BLM7300 BLM7400*2	5 to 20	550 (123) [500 (112)]	800 (180) [700 (157)]	200 (45)
	30, 50	1000 (220) [900 (200)]	1250 (280) [1100 (240)]	300 (67)
	100	1400 (310) [1200 (270)]	1700 (380) [1400 (310)]	400 (90)

*1 The values assume a rated speed of 3000 r/min or below. The values in brackets [] are based on a rated speed of 4000 r/min.

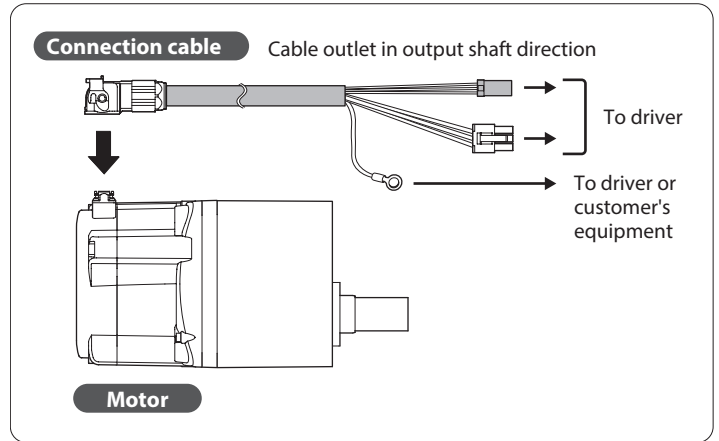
*2 The gear ratio of the **BLM7400** is 5:1 to 50:1.

Connection

■ Connecting the motor and driver

Connect the motor and driver using the connection cable (sold separately). There are three types of connection cables which cable outlet directions are different.

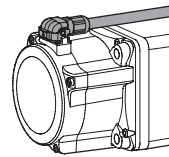
Up to two pieces of the connection cables for relay can be connected. Check the operating of the driver.



[Cable outlet direction]

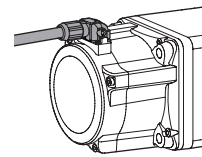
Cable outlet in output shaft direction

CC__F



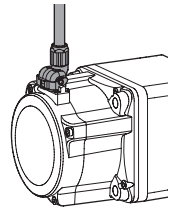
Cable outlet opposite to output shaft direction

CC__B



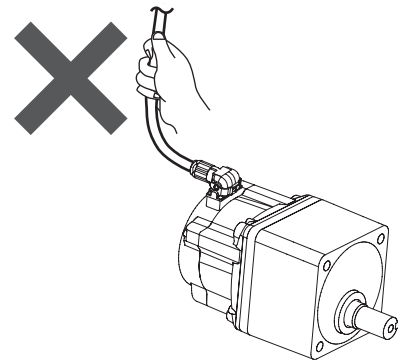
Cable outlet in vertical direction

CC__V



Note

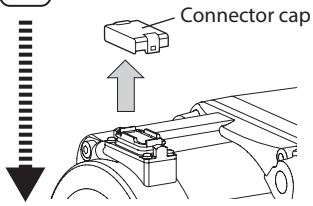
Do not lift up the product by holding the connection cable. Doing so may cause damage to the product.



■ Connection procedures of the motor and connection cable

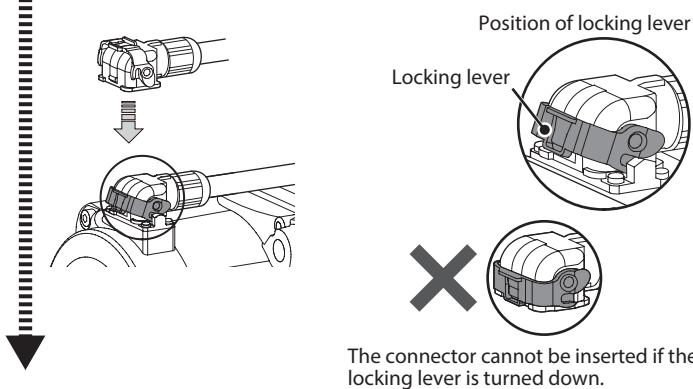
The following example explains using the connection cable of "cable outlet in output shaft direction."

1 Remove



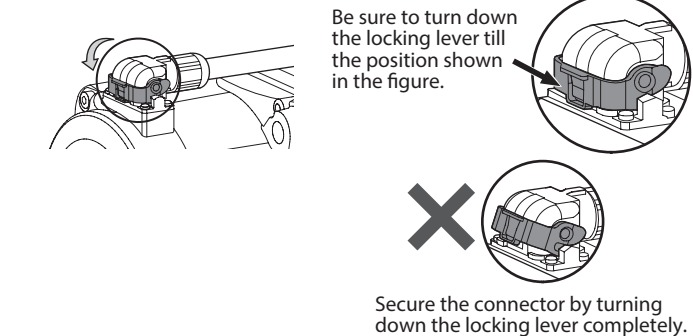
2 Attach

Check the cable outlet direction and insert the connector securely.



3 Secure

Secure the cable with the locking lever so that the cable does not come off.



■ Detaching the connection cable

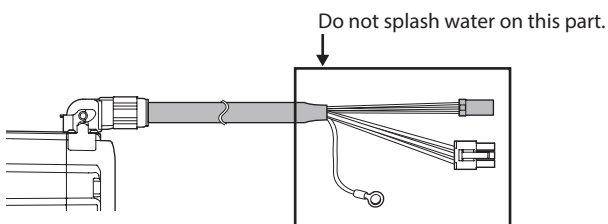
If the locking lever is turned up, the cable can be detached.

Note

Before removing the connection cable, wipe off moisture and dirt attached to the motor. Entering foreign particles into the connector for cable connection on the motor may result in electric shock or damage to the product.

■ Caution about wirings

Make sure to prevent water from splashing on the end part of the driver side of the connection cable because water-resistant measures are not provided on it. Splashing water may cause water to penetrate into the inside of the motor through the lead wires, resulting in damage to the motor.



Also, when using the connection cable for extension, be sure to prevent water from splashing on the end part of the connection cable.

Grounding

Ground using the Protective Earth Terminals ⊕ of the driver and the ground terminal of the connection cable.

Note

Be sure to ground the motor and driver. Failure to do so may result in electric shock or damage to the product. Static electricity may cause damage to the product if the Protective Earth Terminals are not grounded.

Two Protective Earth Terminals ⊕ are provided on the driver. Be sure to ground one of the Protective Earth Terminals. Do not share the Protective Earth Terminal with a welder or any other power equipment.

Connect the ground terminal of the connection cable to the other terminal on the driver.

However, the grounding resistance value provided in the standards applied to the equipment may not be satisfied depending on the length of the connection cable. In this case, use a connection cable which length satisfies the grounding resistance. Use to add a connection cable for extension when the extension distance between the motor and the driver is not enough.

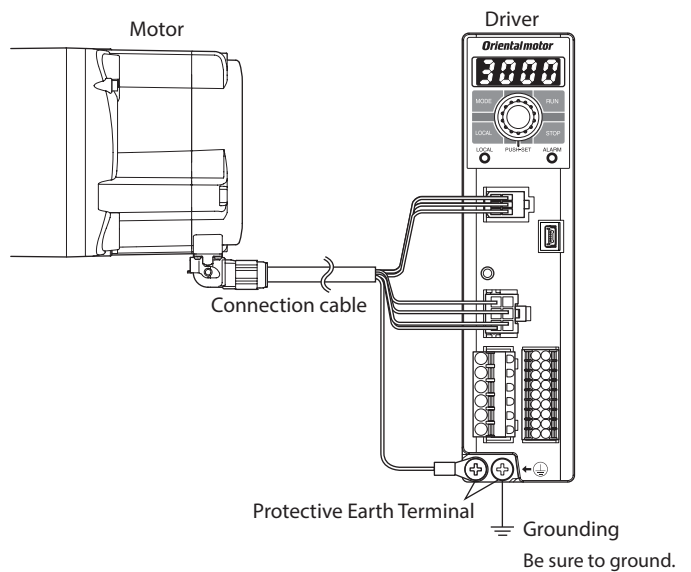
Reference

Protective earth wire of the connection cable

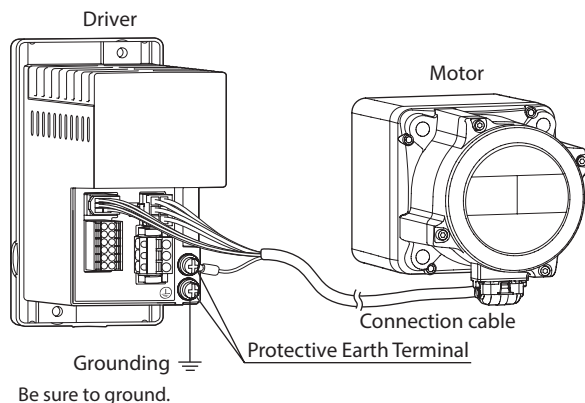
Conductor size: AWG18 (0.75 mm²)

Maximum conductor resistance: 25.0 Ω/km

■ BLE2 series

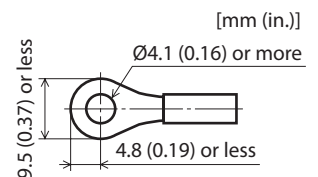


■ BMU series



■ Ground terminal

- Applicable crimp terminal: Round crimp terminal with insulation cover
- Terminal screw size: M4
- Tightening torque: 1.2 N·m (10.6 lb-in)
- Applicable lead wire: AWG18 to 14 (0.75 to 2.0 mm²)



■ Precautions about static electricity

Static electricity may cause the driver to malfunction or suffer damage. Be sure to ground the motor and driver to prevent them from being damaged by static electricity.

Inspection and maintenance

■ Inspection

It is recommended that periodic inspections would be conducted for the items listed below after each operation of the motor.
If an abnormal condition is noted, discontinue any use and contact your nearest Oriental Motor sales office.

Note Do not conduct the insulation resistance measurement or dielectric strength test with the motor and driver connected. Conducting the insulation resistance measurement or dielectric strength test with the motor and driver connected may result in damage to the product.

● Inspection item

- Check if any of the mounting screws of the motor is loose.
- Check if the bearing part (ball bearings) of the motor generates unusual noises.
- Check if the bearing part (ball bearings) or gear meshing part of the gearhead generates unusual noises.
- Check if the output shaft and a load shaft are out of alignment.
- Check if a damage or stress is applied on the cable or the connection part between the cable and driver is loose.

■ Warranty

Check on the Oriental Motor Website for the product warranty.

■ Disposal

Dispose the product correctly in accordance with laws and regulations, or instructions of local governments.

Specifications

Check on the Oriental Motor Website for the product specifications.

General specifications

Operating environment	Ambient temperature	0 to +40 °C (+32 to +104 °F) (non-freezing)
	Ambient humidity	85% or less (non-condensing)
	Altitude	Up to 1000 m (3300 ft.) above sea level
	Surrounding atmosphere	No corrosive gas, dust or oil. Cannot be used in radioactive materials, magnetic field, vacuum or other special environment. (Details about the installation location are described on p.4.)
	Vibration	Not subject to continuous vibrations or excessive impact. In conformance with JIS C 60068-2-6 "Sine-wave vibration test method" Frequency range: 10 to 55 Hz Pulsating amplitude: 0.15 mm (0.006in.) Sweep direction: 3 directions (X, Y, Z) Number of sweeps: 20 times
Storage environment Shipping environment	Ambient temperature	-20 to +70 °C (-4 to +158 °F) (non-freezing)
	Ambient humidity	85% or less (non-condensing)
	Altitude	Up to 3000 m (10000 ft.) above sea level
	Surrounding atmosphere	No corrosive gas, dust, water or oil. Cannot be used in radioactive materials, magnetic field, vacuum or other special environment.
Degree of protection	IP67 (When the connection cable is installed to the motor. Excluding the part of the connectors for driver connection.)	

Regulations and standards

■ UL Standards and CSA Standards

This product is recognized by UL under the UL and CSA standards.
The motor model name represents the model that conforms to the standards.

Applicable Standards	Certification Body	Standards File No.
UL 1004-1 CSA C22.2 No.100	UL	E335369

* Thermal class UL/CSA Standards: 105(A)

■ CE Marking

This product is affixed the CE Marking under the Low Voltage Directive.
The motor model names are the models conform to the directive (CE Marking).

● Low Voltage Directive

- This product is designed and manufactured to be incorporated in equipment.
- This product cannot be used in IT power distribution systems.
- Install the product inside an enclosure in order to avoid contact with hands.
- Ground the protective earth terminals for the connection cable and driver securely.
- Isolate the connection cable, power supply cable and other drive cables from the signal cables by means of double insulation.

Applicable standards

EN 60034-1, EN 60034-5, EN 60664-1

Installation conditions (EN Standard)

- To be incorporated in equipment.
- Overvoltage category: II
- Pollution degree: 3
- Protection against electric shock: Class I equipment

* Thermal class EN Standards: 120 (E)

● Motor temperature rise tests

The temperature rise tests stipulated in the above standards are conducted in a state where a motor is mounted on a heat radiation plate instead of attaching a gearhead. The size, thickness and material of the heat radiation plates are as follows.

Motor model	Size [mm (in.)]	Thickness [mm (in.)]	Material
BLM7200	200×200 (7.87×7.87)	5 (0.20)	Aluminum alloy
BLM7300 BLM7400	250×250 (9.84×9.84)	6 (0.24)	

■ RoHS Directive

The products do not contain the substances exceeding the restriction values of RoHS Directive (2011/65/EU).

- Unauthorized reproduction or copying of all or part of this manual is prohibited.
- Oriental Motor shall not be liable whatsoever for any problems relating to industrial property rights arising from use of any information, circuit, equipment or device provided or referenced in this manual.
- Characteristics, specifications and dimensions are subject to change without notice.
- While we make every effort to offer accurate information in the manual, we welcome your input. Should you find unclear descriptions, errors or omissions, please contact the nearest office.
- **Orientalmotor** is a registered trademark or trademark of Oriental Motor Co., Ltd., in Japan and other countries.

© Copyright ORIENTAL MOTOR CO., LTD. 2020

Published in December 2020

- Please contact your nearest Oriental Motor office for further information.

ORIENTAL MOTOR U.S.A. CORP.
 Technical Support Tel:800-468-3982
 8:30am EST to 5:00pm PST (M-F)
www.orientalmotor.com

ORIENTAL MOTOR (EUROPA) GmbH
 Schiessstraße 44, 40549 Düsseldorf, Germany
 Technical Support Tel:00 800/22 55 66 22
www.orientalmotor.de

ORIENTAL MOTOR (UK) LTD.
 Tel:+44-1256347090
www.oriental-motor.co.uk

ORIENTAL MOTOR (FRANCE) SARL
 Tel:+33-1 47 86 97 50
www.orientalmotor.fr

ORIENTAL MOTOR ITALIA s.r.l.
 Tel:+39-02-93906347
www.orientalmotor.it

ORIENTAL MOTOR CO., LTD.
 4-8-1Higashiueno,Taito-ku,Tokyo 110-8536
 Japan
 Tel:+81-3-6744-0361
www.orientalmotor.co.jp

ORIENTAL MOTOR ASIA PACIFIC PTE. LTD.
 Singapore
 Tel:1800-842-0280
www.orientalmotor.com.sg

ORIENTAL MOTOR (MALAYSIA) SDN. BHD.
 Tel:1800-806-161
www.orientalmotor.com.my

ORIENTAL MOTOR (THAILAND) CO., LTD.
 Tel:1800-888-881
www.orientalmotor.co.th

ORIENTAL MOTOR (INDIA) PVT. LTD.
 Tel:1800-120-1995 (For English)
 1800-121-4149 (For Hindi)
www.orientalmotor.co.in

TAIWAN ORIENTAL MOTOR CO., LTD.
 Tel:0800-060708
www.orientalmotor.com.tw

SHANGHAI ORIENTAL MOTOR CO., LTD.
 Tel:400-820-6516
www.orientalmotor.com.cn

INA ORIENTAL MOTOR CO., LTD.
 Korea
 Tel:080-777-2042
www.inaom.co.kr