



OPERATING MANUAL

Brushless Motor

BLHM Electromagnetic Brake Motor



Introduction

■ Before using the product

Only qualified personnel of electrical and mechanical engineering should work with the product. Use the product correctly after thoroughly reading the section "Safety precautions." In addition, be sure to observe the contents described in warning, caution, and note in this manual. The product described in this manual has been designed and manufactured to be incorporated in general industrial equipment. Do not use for any other purpose. For the power supply, use a DC power supply with reinforced insulation on its primary and secondary sides. Oriental Motor Co., Ltd. is not responsible for any damage caused through failure to observe this warning.

■ Overview of the product

This product is a slim, high-power brushless motor. It can be used with a board type driver of the BLH Series. This motor is equipped with a power off activated type electromagnetic brake suitable for position holding. Provide a DC power supply separately for controlling the electromagnetic brake.

■ Related operating manuals

Operating manuals for this product are listed below. Operating manuals are not included with the product. Download from Oriental Motor Website Download Page or contact your nearest Oriental Motor sales office.

	Operating manual name
Motor	BLHM Electromagnetic Brake Motor OPERATING MANUAL
Driver	BLH Series
	Analog Setting Type OPERATING MANUAL
	Analog Setting Type 100 W OPERATING MANUAL
	Digital Setting Type OPERATING MANUAL
	RS-485 Communication Type OPERATING MANUAL

Refer to the operating manuals of the driver for details about connections and operations.

Safety precautions

The precautions described below are intended to ensure the safe and correct use of the product, and to prevent the customer and others from exposure to the risk of injury. Use the product only after carefully reading and fully understanding these instructions.

WARNING	Handling the product without observing the instructions that accompany a "WARNING" symbol may result in serious injury or death.
CAUTION	Handling the product without observing the instructions that accompany a "CAUTION" symbol may result in injury or property damage.
Note	The items under this heading contain important handling instructions that the user should observe to ensure safe use of the product.

[Description of graphic symbols]

- ⊘: Indicates "prohibited" actions that must not be performed.
- ⓘ: Indicates "compulsory" actions that must be performed.

WARNING

- ⊘ Do not use the product in explosive or corrosive environments, in the presence of flammable gases, locations subjected to near combustibles. Doing so may result in fire or injury.
- ⊘ Do not transport, install, connect or inspect the product while the power is supplied. Always turn off the power before carrying out these operations. Damage to equipment may result.

Thank you for purchasing an Oriental Motor product. This Operating Manual describes product handling procedures and safety precautions.

- Please read it thoroughly to ensure safe operation.
- Always keep the manual where it is readily available.

WARNING

- ⊘ Do not use the electromagnetic brake of the motor as a safety brake. Provide safety measures in equipment side. Failure to do so may result in injury or damage to equipment.
- Do not use a motor in a vertical application. If the driver protective function is activated, the motor will stop and the moving part may drop, thereby causing injury or damage to equipment.
- Do not machine or modify the motor cable or connection cable. Doing so may result in fire or damage to equipment.
- ⊘ Do not forcibly bend, pull or pinch the cable. Doing so may result in fire or damage to equipment.
- Do not touch the motor and driver when conducting the insulation resistance measurement or dielectric strength test.
- Do not disassemble or modify the motor and gearhead. Doing so may result in injury or damage to equipment. Refer all such internal inspections and repairs to the branch or sales office from which you purchased the product.
- ⓘ Only qualified and educated personnel should be allowed to perform installation, connection, operation and inspection/troubleshooting of the product. Handling by unqualified and uneducated personnel may result in fire, injury or damage to equipment.
- Use a motor, gearhead, and driver only in the specified combination. An incorrect combination may cause fire or damage to equipment.
- Install the motor, gearhead and driver in an enclosure. Failure to do so may result in injury.

CAUTION

- ⊘ Do not use the motor and gearhead beyond the specifications. Doing so may result in fire, injury or damage to equipment.
- Do not touch the motor and gearhead while operating or immediately after stopping. The surfaces of the motor and gearhead are hot, and it may cause a skin burn(s).
- Do not leave anything around the motor that would obstruct ventilation. Doing so may result in damage to equipment.
- ⊘ Do not lift up the product by holding the output shaft of the motor or the gearhead, or the motor cable. Doing so may result in injury.
- Do not touch the motor output shaft (end or pinion) with bare hands. Doing so may cause injury.
- When assembling the motor (pinion shaft) with the gearhead, exercise caution not to pinch your fingers or other parts of your body between the motor and gearhead. Injury may result.
- When installing the motor or gearhead in the equipment, exercise caution not to pinch your fingers or other parts of your body between the equipment and motor or gearhead. Injury may result.
- Do not touch the rotating part (output shaft) while operating the motor. Doing so may cause injury.
- ⓘ Securely install the motor and gearhead to the mounting plate. Inappropriate installation may cause the motor and gearhead to detach and fall, resulting in injury or damage to equipment.
- Provide a cover over the rotating part (output shaft) of the gearhead. Failure to do so may result in injury.
- Securely install a load on the output shaft of the gearhead. Inappropriate installation may result in injury.
- ⓘ Be sure to ground the motor and driver to prevent them from being damaged by static electricity. Failure to do so may result in fire or damage to equipment.
- The motor surface temperature may exceed 70 °C (158 °F) even under normal operating conditions. If the operator is allowed to approach the motor in operation, attach a warning label in a conspicuous position as shown in the figure. Failure to do so may result in a skin burn(s).



Warning label

Precautions for use

This section explains limitations and requirements the user should consider when using the product.

- **Be sure to match the motor output power with the driver output power.**
- **Activate the electromagnetic brake to hold the position after the motor stops.**

Do not use the electromagnetic brake built-in the motor for braking the output shaft (load) being rotated. Be sure to check the motor output shaft is stopped before activating the electromagnetic brake to hold the position.

- **Connecting the motor and driver**

Use a connection cable (sold separately) when extending the wiring distance between the motor and the driver. The maximum extension distance including the length of the motor cable should be 5 m (16.4 ft.).

- **Grease measures**

On rare occasions, grease may ooze out from the gearhead. If there is concern over possible environmental contamination resulting from the leakage of grease, check for grease stains during regular inspections. Alternatively, install an oil pan or other device to prevent damage resulting from contamination. Grease leakage may lead to problems in the user's equipment or products.

- **Apply grease to the hollow output shaft of a hollow shaft flat gearhead.**

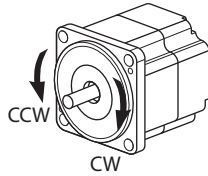
Apply grease (molybdenum disulfide grease, etc.) on the surface of the load shaft and inner walls of the hollow output shaft to prevent seizure.

- **Note on using in low temperature environment**

When an ambient temperature is low, since the load torque may increase by the oil seal or viscosity increment of grease, the motor starting may take a long time or the motor rotation speed may fall. However, if the operation is continued for a while, the oil seal or grease will be warmed up, and the motor can be driven at the normal rotation speed.

- **Rotation direction**

For the rotation direction of the motor output shaft, rotation in the clockwise direction when viewed from the motor output shaft side represents "CW" and that in the counterclockwise direction represents "CCW."



Combination type-parallel shaft gearhead

The rotation direction of the gearhead output shaft may vary with that of the motor output shaft depending on the gear ratio of the gearhead.

Gear ratio	Rotation direction of the gearhead output shaft
5, 10, 15, 20, 200	Same direction as the motor
30, 50, 100	Opposite direction to the motor

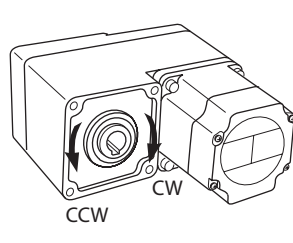
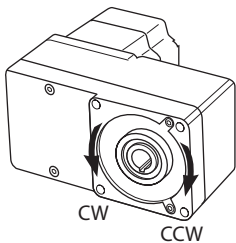
Combination type-hollow shaft flat gearhead

At all gear ratios, the output shaft rotates in the opposite direction to the motor as viewed from the gearhead front face.

With a combination type-hollow shaft flat gearhead, the rotation direction viewed from the gearhead front face is different from that viewed from the gearhead rear face. Check with the figure below.

Viewed from Front

Viewed from Rear



Checking the product

This section explains the items you should check, as well as the name of each part.

■ Package contents

Verify that the items listed below are included.

Report any missing or damaged items to the branch or sales office from which you purchased the product.

- **Combination type-parallel shaft gearhead**

- Motor 1 unit (a gearhead is pre-assembled)
- Varistor 1 pc
- Mounting screw 1 set
(hexagonal socket head screw, plain washer, spring washer, nut each 4 pcs., parallel key 1 pc)
- Instructions and Precautions for Safe Use 1 copy

- **Combination type-hollow shaft flat gearhead**

- Motor 1 unit (a gearhead is pre-assembled)
- Varistor 1 pc
- Mounting screw 1 set
(hexagonal socket head screw, plain washer, spring washer, nut each 4 pcs., parallel key 1 pc)
- Safety cover 1 set
(safety cover 1 pc, mounting screw for safety cover 2 pcs.)
- Instructions and Precautions for Safe Use 1 copy

- **Round shaft type**

- Motor 1 unit
- Varistor 1 pc
- Instructions and Precautions for Safe Use 1 copy

■ Model

Verify the model name of the purchased product against the model shown on the package label.

Check the motor model and the gearhead model against the model name shown on their nameplates, respectively.

Tell us the model name, product serial number, and manufacturing date when you contact us.

- The box (□) in the model name indicates a number representing the gear ratio (5, 10, 15, 20, 30, 50, 100, 200).

- **Combination type-parallel shaft gearhead**

Output power	Model	Motor model	Gearhead model	Applicable driver name
30 W	BLHM230KCM-□	BLHM230KCM-GFS	GFS2G□	BLH2D30-K BLH2D30-KD BLH2D30-KR
50 W	BLHM450KCM-□	BLHM450KCM-GFS	GFS4G□	BLH2D50-K BLH2D50-KD BLH2D50-KR
100 W	BLHM5100KCM-□	BLHM5100KCM-GFS	GFS5G□	BLHD100K

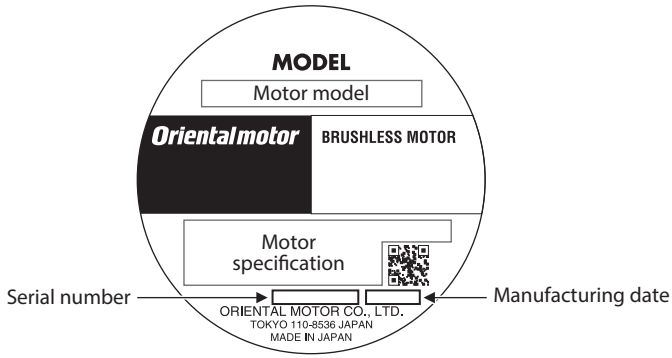
- **Combination type-hollow shaft flat gearhead**

Output power	Model	Motor model	Gearhead model	Applicable driver name
30 W	BLHM230KCM-□FR	BLHM230KCM-GFS	GFS2G□FR	BLH2D30-K BLH2D30-KD BLH2D30-KR
50 W	BLHM450KCM-□FR	BLHM450KCM-GFS	GFS4G□FR	BLH2D50-K BLH2D50-KD BLH2D50-KR
100 W	BLHM5100KCM-□FR	BLHM5100KCM-GFS	GFS5G□FR	BLHD100K

- **Round shaft type**

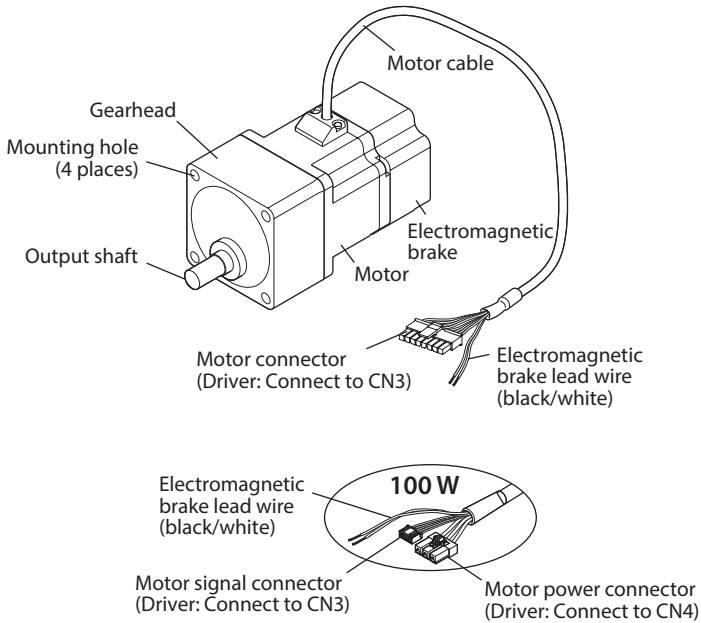
Output power	Model	Applicable driver name
30 W	BLHM230KCM-A	BLH2D30-K BLH2D30-KD BLH2D30-KR
50 W	BLHM450KCM-A	BLH2D50-K BLH2D50-KD BLH2D50-KR
100 W	BLHM5100KCM-A	BLHD100K

Information about nameplate



Names of parts

The figure shows the combination type-parallel shaft gearhead (30 W, 50 W).



Installation

This section explains the installation method of a load in addition to the installation location and installation method of the product.

Installation location

Install the product in a well-ventilated location that provides easy access for inspection. The location must also satisfy the following conditions: Install it onto an appropriate flat plate having excellent vibration resistance and heat conductivity.

- Indoors
- Operating ambient temperature 0 to +50 °C [+32 to 122°F] (non-freezing)
- Operating ambient humidity 85% or less (non-condensing)
- Area that is free of explosive atmosphere or toxic gas (such as sulfuric gas) or liquid
- Area not exposed to direct sun
- Area free of excessive amount of dust, iron particles or the like
- Area free of excessive salt
- Area not subject to continuous vibration or excessive shocks
- Area free of excessive electromagnetic noise (from welders, power machinery, etc.)
- Area free of radioactive materials, magnetic fields or vacuum
- Altitude Up to 1000 m (3300 ft.) above sea level
- Not exposed to oil (oil droplets) or chemicals.

The motor can be used in an environment that is splashed with water (excluding the connectors and the mounting surface of the round shaft type). Not available for use under high pressure jets of water or immersion in water.

Installation method

Note

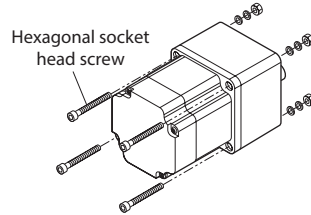
- Do not install the motor to the mounting hole diagonally or assemble the motor forcibly. Doing so may cause damage to the flange pilot section, thereby resulting in damage to the motor.
- Do not forcibly assemble the motor and gearhead. Also, prevent metal objects or foreign substances from entering in the gearhead. The pinion of the motor output shaft or gear may be damaged, resulting in noise or shorter service life.
- Do not allow dust to attach to the pilot sections of the motor and gearhead. Also, assemble the motor and gearhead carefully by not pinching the O-ring at the motor pilot section. If the O-ring is crushed or severed, grease may leak from the gearhead.

Combination type-parallel shaft gearhead

Secure the motor and gearhead through four mounting holes using the included mounting screw set.
Do not leave a gap between the product and mounting plate.

Mounting screw (included)

Model	Screw size	Tightening torque [N·m (lb-in)]
BLHM230	M4	1.8 (15.9)
BLHM450	M6	6.4 (56)
BLHM5100	M8	15.5 (137)

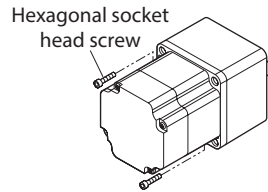


Removing and assembling the gearhead

See the following steps to replace the gearhead or to change the cable outlet position.

Removing the gearhead from the motor

Remove the hexagonal socket head screws (2 places) assembling the motor and gearhead, and detach the gearhead from the motor.



Assembling the gearhead to the motor

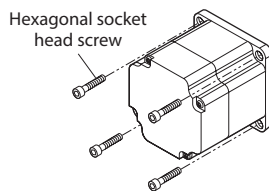
- Check that there is no gap between the motor and gearhead, and tighten them with hexagonal socket head screws (2 places).

Model	Screw size	Tightening torque [N·m (lb-in)]
BLHM230	M2.6	0.4 (3.5)
BLHM450	M3	0.6 (5.3)

Round shaft type

Secure the product using hexagonal socket head screws (not included) through the four mounting holes.
Do not leave a gap between the product and mounting plate.

Model	Screw size	Tightening torque [N·m (lb-in)]
BLHM230	M4	1.8 (15.9)
BLHM450	M6	6.4 (56)
BLHM5100	M8	15.5 (137)



Install the motor to a mounting plate of the following size or larger, so that the motor case temperature will not exceed 90 °C (194 °F)

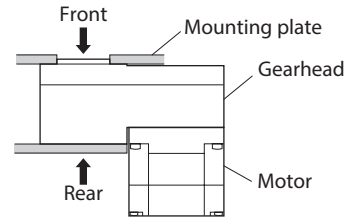
Model	Size of mounting plate	Thickness	Material
BLHM230	115×115 mm (4.53×4.53 in.)	5 mm (0.20 in.)	Aluminum alloy
BLHM450	135×135 mm (5.31×5.31 in.)		
BLHM5100	200×200 mm (7.87×7.87 in.)		

Note

Do not install the motor to the mounting hole diagonally or assemble the motor forcibly. Doing so may cause damage to the flange pilot section, thereby resulting in damage to the motor.

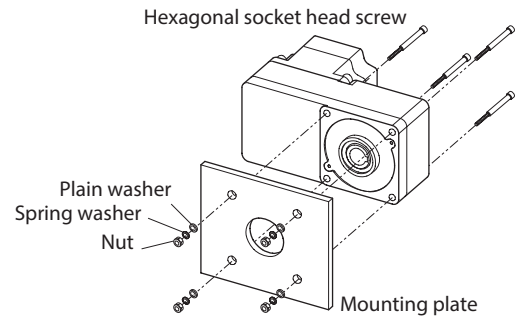
Combination type-hollow shaft flat gearhead

A combination type-hollow shaft flat gearhead can be installed by using either its front or rear side as the mounting surface.
Secure with the included hexagonal socket head screws through the four mounting holes so as not to leave a gap between the motor and mounting plate. Also, attach the included safety cover to the hollow output shaft on the end opposite from the one where the load shaft is installed.

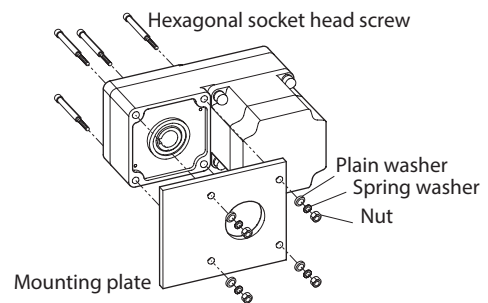


Using the front side as the mounting surface

When the gearhead is installed by using its front side as the mounting surface, use the boss section of the output shaft to align the center.

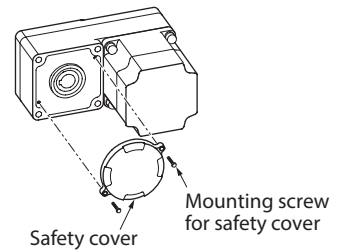


Using the rear side as the mounting surface



Installing the safety cover

After installing a load, attach the included safety cover.
The safety cover can be attached to either face.
Tightening torque: 0.45 N·m (3.9 lb-in)

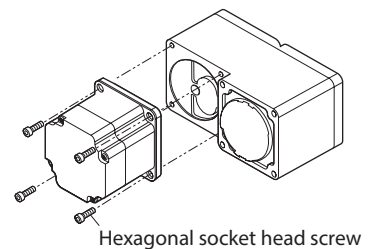


Removing and assembling the gearhead

See the following steps to replace the gearhead or to change the cable outlet position.
Note that the motor cable cannot be positioned in the direction where it faces to the gearhead output shaft side.

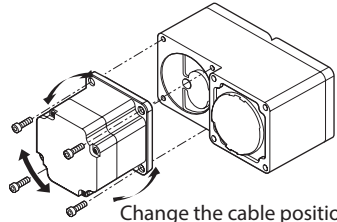
Removing the gearhead from the motor

Remove the hexagonal socket head screws (4 places) assembling the motor and gearhead, and detach the gearhead from the motor.



Assembling the gearhead to the motor

1. Keep the pilot sections of the motor and gearhead in parallel, and assemble the gearhead with the motor while slowly rotating it clockwise/counterclockwise. At this time, note so that the pinion of the motor output shaft does not hit the side panel or gears of the gearhead strongly.



Change the cable position to a desired 90° direction

2. Check that there is no gap between the motor and gearhead, and tighten them with hexagonal socket head screws (4 places).

Model	Screw size	Tightening torque [N·m (lb·in)]
BLHM230	M4	1.8 (15.9)
BLHM450	M6	6.4 (56)
BLHM5100	M8	15.5 (137)

■ Installing a load



- When coupling with a load, pay attention to centering, belt tension, parallelism of pulleys, etc. Also, firmly secure the tightening screws of the coupling or pulleys.
- When installing a load, do not damage the output shaft or bearing. Forcibly inserting the load by driving it with a hammer may damage the bearing. Do not apply any excessive force to the output shaft.
- Do not modify or machine the output shaft. This may damage the bearing, resulting in damage to the motor and gearhead.

● Combination type-parallel shaft gearhead, round shaft type

When installing a load on the gearhead, align the center of the output shaft with the center of the load shaft.

● Output shaft shape

Combination type-parallel shaft gearhead

A key slot is provided on the output shaft of gearhead. Form a key slot on the load side, and secure the load using the included parallel key.

Model	Parallel key dimension
BLHM230	4 mm (0.1575 in.)
BLHM450	5 mm (0.1969 in.)
BLHM5100	6 mm (0.2362 in.)

Round shaft type

A flat section is provided on the output shaft of round shaft type. Apply a double-point screw, etc., at the flat section to firmly secure the load and prevent it from spinning.

● How to install a load

Using a coupling

Align the centerline of the motor or gearhead output shaft with the centerline of the load shaft.

Using a belt

Adjust the motor or gearhead output shaft to lie parallel with the load shaft, and form right angles between the output shaft/load shaft and the line connecting the centers of both pulleys.

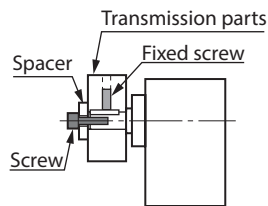
Using a gear

Adjust the motor or gearhead output shaft to lie parallel with the gear shaft, and allow the output shaft to mesh correctly with the centers of the gear teeth.

When using the output shaft end tapped hole of a gearhead (except for GFS2G)

Use a tap hole provided at the end of the output shaft as an auxiliary means for preventing the transfer mechanism from disengaging.

Gearhead model	Screw size	Effective depth
GFS4G□	M5	10 mm (0.39 in.)
GFS5G□	M6	12 mm (0.47 in.)



Example of use for output shaft end tapped hole

● Combination type-hollow shaft flat gearhead

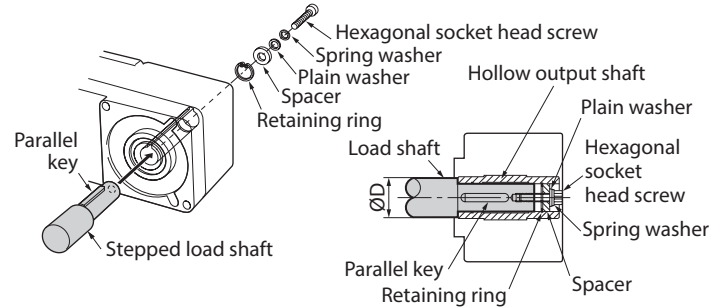
If a large impact occurs at instantaneous stop or a large radial load is applied, secure a stepped load shaft.



Apply grease (molybdenum disulfide grease, etc.) on the surface of the load shaft and inner walls of the hollow output shaft to prevent seizure.

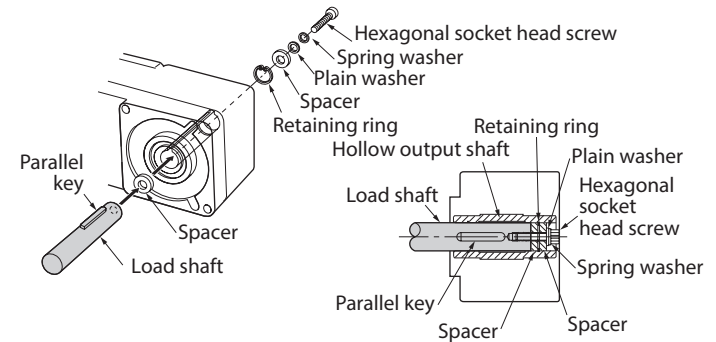
● Stepped load shaft

Secure the retaining ring to the load shaft by tightening the hexagonal socket head screw over a spacer, plain washer and spring washer.



● Non-stepped load shaft

Install a spacer on the load shaft side and secure the retaining ring to the load shaft by tightening the hexagonal socket head screw over a spacer, plain washer and spring washer.



Recommended load shaft installation dimensions [Unit: mm (in.)]

Model	Inner diameter of hollow shaft (H8)	Recommended diameter of load shaft (h7)	Nominal diameter of retaining ring
BLHM230	$\varnothing 12^{+0.027}_0$ ($\varnothing 0.4724^{+0.0011}_0$)	$\varnothing 12^{0}_{-0.018}$ ($\varnothing 0.4724^{0}_{-0.0007}$)	$\varnothing 12$ ($\varnothing 0.47$)
BLHM450	$\varnothing 15^{+0.027}_0$ ($\varnothing 0.5906^{+0.0011}_0$)	$\varnothing 15^{0}_{-0.018}$ ($\varnothing 0.5906^{0}_{-0.0007}$)	$\varnothing 15$ ($\varnothing 0.59$)
BLHM5100	$\varnothing 20^{+0.033}_0$ ($\varnothing 0.7874^{+0.0013}_0$)	$\varnothing 20^{0}_{-0.021}$ ($\varnothing 0.7874^{0}_{-0.0008}$)	$\varnothing 20$ ($\varnothing 0.79$)

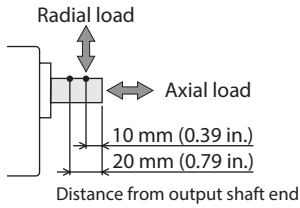
Model	Applicable screw	Spacer thickness	Outer diameter of stepped shaft (ØD)
BLHM230	M4	3 (0.12)	20 (0.79)
BLHM450	M5	4 (0.16)	25 (0.98)
BLHM5100	M6	5 (0.20)	30 (1.18)

■ Permissible radial load and permissible axial load

Make sure a radial load and axial load applied to the output shaft of the motor and gearhead will not exceed the permissible values shown in the table below.

Note Failure due to fatigue may occur when the motor or gearhead bearings and output shaft are subject to repeated loading by a radial or axial load that is in excess of the permissible limit.

● Combination type-parallel shaft gearhead

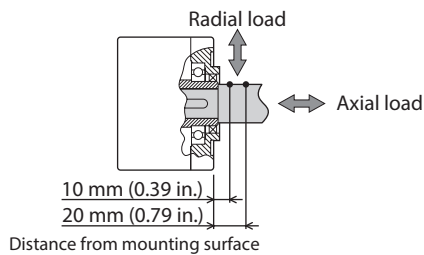


Model	Gear ratio	Permissible radial load [N (lb.)] Distance from output shaft end of the gearhead		Permissible axial load [N (lb.)]
		10 mm (0.39 in.)	20 mm (0.79 in.)	
BLHM230	5	100 (22)	150 (33)	40 (9)
	10 to 20	150 (33)	200 (45)	
	30 to 200	200 (45)	300 (67)	
BLHM450	5	200 (45)	250 (56)	100 (22)
	10 to 20	300 (67)	350 (78)	
	30 to 200	450 (101)	550 (123)	
BLHM5100	5	300 (67)	400 (90)	150 (33)
	10 to 20	400 (90)	500 (112)	
	30 to 200	500 (112)	650 (146)	

● Round shaft type

Model	Permissible radial load [N (lb.)] Distance from output shaft end of the motor		Permissible axial load [N (lb.)]
	10 mm (0.39 in.)	20 mm (0.79 in.)	
BLHM230	70 (15.7)	100 (22)	10 (2.2)
BLHM450	120 (27)	140 (31)	20 (4.5)
BLHM5100	160 (36)	170 (38)	25 (5.6)

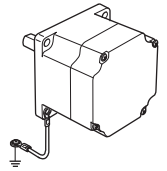
● Combination type-hollow shaft flat gearhead



Model	Gear ratio	Permissible radial load [N (lb.)] Distance from gearhead mounting surface		Permissible axial load [N (lb.)]
		10 mm (0.39 in.)	20 mm (0.79 in.)	
BLHM230	5, 10	450 (101)	370 (83)	200 (45)
	15 to 200	500 (112)	400 (90)	
BLHM450	5, 10	800 (180)	660 (148)	400 (90)
	15 to 200	1200 (270)	1000 (220)	
BLHM5100	5, 10	900 (200)	770 (173)	500 (112)
	15, 20	1300 (290)	1110 (240)	
	30 to 200	1500 (330)	1280 (280)	

Grounding

Connect the grounding wire along with a set screw to the grounding point, using a shakeproof washer.



■ Precautions about static electricity

Static electricity may cause the driver to malfunction or suffer damage. Be sure to ground the motor and driver to prevent them from being damaged by static electricity.

Operation

This section explains how to use the electromagnetic brake. For other contents, refer to the OPERATING MANUAL of the driver.

WARNING

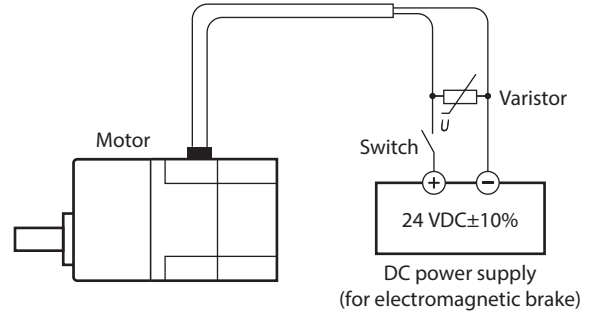
- Do not use the electromagnetic brake of the motor as a safety brake. It is intended to hold the moving part and motor positions. Since the power off activated type electromagnetic brake is equipped, it can hold the position of a load when the power is cut off. However, this brake is not a mechanism to hold the load in position steadily. Provide safety measures in equipment side.
- If the electromagnetic brake is activated to hold the motor output shaft in a state where the motor is rotating, the brake hub of the electromagnetic brake may wear significantly, leading to damage. Be sure to check the motor output shaft is stopped before activating the electromagnetic brake to hold the position.

Connection method

- Connect the lead wires of the electromagnetic brake to a DC power supply for electromagnetic brake.
The lead wires of the electromagnetic brake have no polarity.
Lead wire size: AWG24
- Connect the varistor (included) in parallel between +24 VDC terminal and GND terminal of the DC power supply.
The varistor has no polarity.



Model: Z15D121 (Manufacturer: SEMITEC)
Varistor voltage: 120 V



- The electromagnetic brake is released when voltage is applied to it.

Note

Do not apply voltage in excess of the specified value. Doing so may cause heat generation of the electromagnetic brake to increase, resulting in damage to the product. On the contrary, too low voltage may not release the electromagnetic brake.

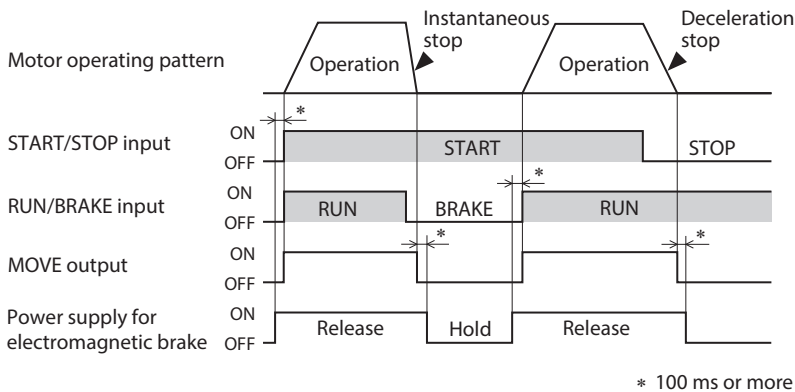
Electromagnetic brake specification

Model	BLHM230	BLHM450	BLHM5100
Type	Power off activated type (for holding)		
Power supply voltage	24 VDC \pm 10%		
Power supply current	0.084 A	0.31 A	0.31 A
Brake activate time	100 ms		
Brake release time	100 ms		
Time rating	Continuous		

Timing chart

Note

Check the motor has been stopped before activating the electromagnetic brake to hold a load. Activating the electromagnetic brake to hold during motor rotation may cause damage to the product.



- Note on starting**
Turn on the switch for the electromagnetic brake and waiting for at least 100 ms (brake releasing time) before operating the motor.

- Note on stopping**
Activate the electromagnetic brake to hold the position after the motor output shaft is stopped completely. (Before use, check the time needed for the motor to stop in a state where the motor is installed in the equipment actually used.)

In the case of the BLH Series digital setting type and RS-485 communication type, you can check whether the motor output shaft is stopped or not by the status of the MOVE output. After the MOVE output is turned OFF, wait for at least 100 ms before activating the electromagnetic brake to hold the position.

For BLH Series analog setting type

Activate the electromagnetic brake to hold the position by detecting the motor rotation because the driver does not have the MOVE output. Provide an external sensor, etc. to detect the motor rotation.

Inspection and maintenance

■ Inspection

It is recommended that periodic inspections would be conducted for the items listed below after each operation of the motor.
If an abnormal condition is noted, discontinue any use and contact your nearest Oriental Motor sales office.

Note Do not conduct the insulation resistance measurement or dielectric strength test with the motor and driver connected. Conducting the insulation resistance measurement or dielectric strength test with the motor and driver connected may result in damage to the product.

● Inspection item

- Check if any of the mounting screws of the motor and gearhead is loose.
- Check if the bearing part (ball bearings) of the motor generates unusual noises.
- Check if the bearing part (ball bearings) or gear meshing part of the gearhead generates unusual noises.
- Check if the output shaft of the gearhead and a load shaft are out of alignment.
- Check if a damage or stress is applied on the cable or the connection part between the cable and driver is loose.

■ Warranty

Check on the Oriental Motor Website for the product warranty.

■ Disposal

Dispose the product correctly in accordance with laws and regulations, or instructions of local governments.

Specifications

Check on the Oriental Motor Website for the product specifications.

General specifications

Operating environment	Ambient temperature	0 to +50 °C [+32 to +122 °F] (non-freezing)
	Ambient humidity	85% or less (non-condensing)
	Altitude	Up to 1000 m (3300 ft.) above sea level
	Surrounding atmosphere	No corrosive gas, dust. Cannot be used in radioactive materials, magnetic field, vacuum or other special environment.
	Vibration	Not subject to continuous vibrations or excessive impact. In conformance with JIS C 60068-2-6 "Sine-wave vibration test method" Frequency range: 10 to 55 Hz Pulsating amplitude: 0.15 mm (0.006 in.) Sweep direction: 3 directions (X, Y, Z) Number of sweeps: 20 times
Storage environment Shipping environment	Ambient temperature	-20 to +70 °C [-4 to +158 °F] (non-freezing)
	Ambient humidity	85% or less (non-condensing)
	Altitude	Up to 3000 m (10000 ft.) above sea level
	Surrounding atmosphere	No corrosive gas, dust, water or oil. Cannot be used in radioactive materials, magnetic field, vacuum or other special environment.
Degree of protection	IP65 (Excluding the part of the connectors and the mounting surface of the round shaft type.)	

Regulations and standards

■ UL Standards, CSA Standards

This product is recognized by UL under the UL and CSA Standards.

■ EU RoHS Directive/UK RoHS Regulation

This product does not contain the substances exceeding the restriction values.

- Unauthorized reproduction or copying of all or part of this manual is prohibited.
- Oriental Motor shall not be liable whatsoever for any problems relating to industrial property rights arising from use of any information, circuit, equipment or device provided or referenced in this manual.
- Characteristics, specifications and dimensions are subject to change without notice.
- While we make every effort to offer accurate information in the manual, we welcome your input. Should you find unclear descriptions, errors or omissions, please contact the nearest office.
- **Orientalmotor** is a registered trademark or trademark of Oriental Motor Co., Ltd., in Japan and other countries.

© Copyright ORIENTAL MOTOR CO., LTD. 2020

Published in November 2022

- Please contact your nearest Oriental Motor office for further information.

ORIENTAL MOTOR U.S.A. CORP.
Technical Support Tel:800-468-3982
8:30am EST to 5:00pm PST (M-F)
www.orientalmotor.com

ORIENTAL MOTOR (EUROPA) GmbH
Schiesstraße 44, 40549 Düsseldorf, Germany
Technical Support Tel:00 800/22 55 66 22
www.orientalmotor.de

ORIENTAL MOTOR (UK) LTD.
Unit 5 Faraday Office Park, Rankine Road,
Basingstoke, Hampshire RG24 8QB UK
Tel:+44-1256347090
www.oriental-motor.co.uk

ORIENTAL MOTOR (FRANCE) SARL
Tel:+33-1 47 86 97 50
www.orientalmotor.fr

ORIENTAL MOTOR ITALIA S.r.l.
Tel:+39-02-93906347
www.orientalmotor.it

ORIENTAL MOTOR CO., LTD.
4-8-1 Higashiueno, Taito-ku, Tokyo 110-8536
Japan
Tel:+81-3-6744-0361
www.orientalmotor.co.jp

ORIENTAL MOTOR ASIA PACIFIC PTE. LTD.
Singapore
Tel:1800-842-0280
www.orientalmotor.com.sg

ORIENTAL MOTOR (MALAYSIA) SDN. BHD.
Tel:1800-806-161
www.orientalmotor.com.my

ORIENTAL MOTOR (THAILAND) CO., LTD.
Tel:1800-888-881
www.orientalmotor.co.th

ORIENTAL MOTOR (INDIA) PVT. LTD.
Tel:1800-120-1995 (For English)
1800-121-4149 (For Hindi)
www.orientalmotor.co.in

TAIWAN ORIENTAL MOTOR CO., LTD.
Tel:0800-060708
www.orientalmotor.com.tw

SHANGHAI ORIENTAL MOTOR CO., LTD.
Tel:400-820-6516
www.orientalmotor.com.cn

INA ORIENTAL MOTOR CO., LTD.
Korea
Tel:080-777-2042
www.inaom.co.kr